



Height Adjustable Basin ABW6 OWNERS MANUAL

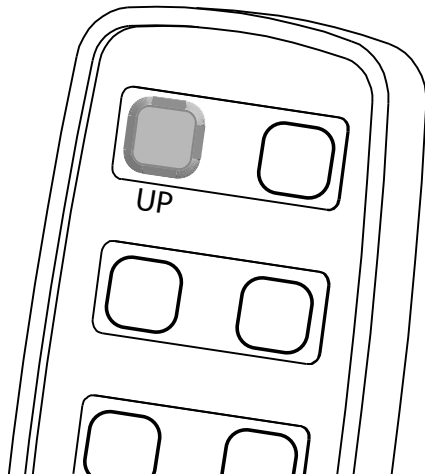


IMPORTANT
READ THIS
MANUAL
BEFORE USE

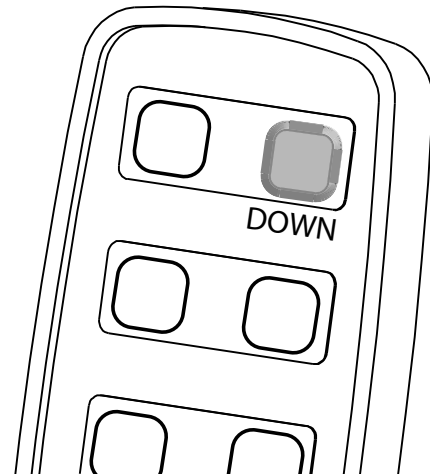
Warranty No

Job No

Operation

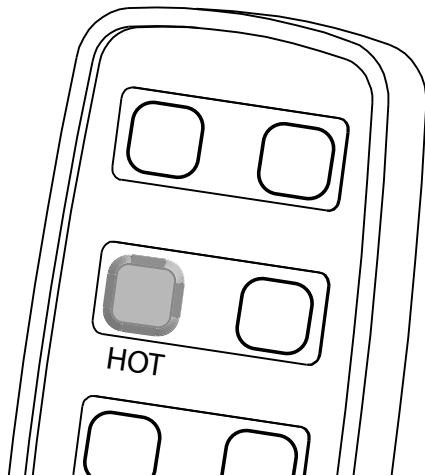


Press and hold button to raise basin

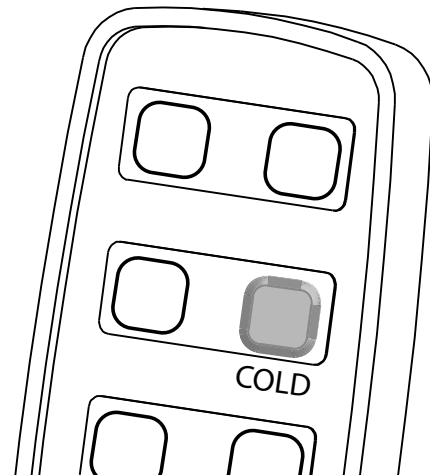


Press and hold button to lower basin

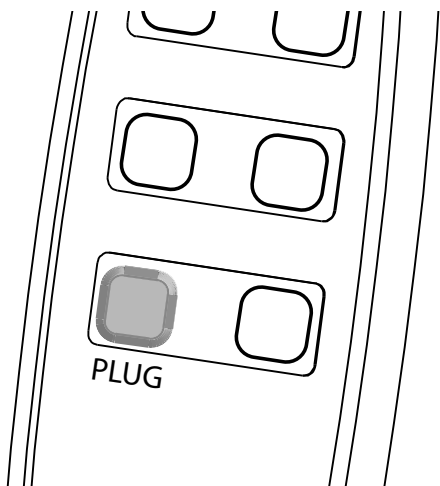
Following functions on SP version only



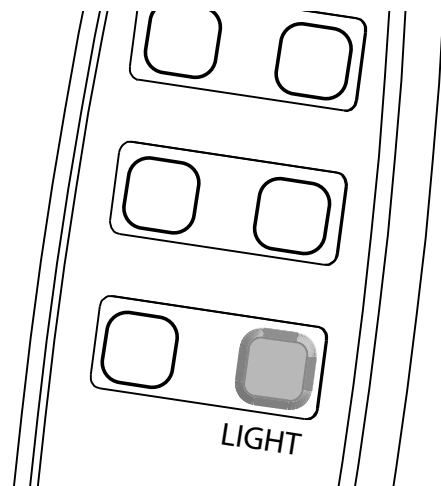
Press and release button to turn Hot water on or off



Press and release button to turn Cold water on or off



Press and release button to raise or lower plug



Press and release button to turn light on or off

The lever tap system

In normal operation the 6" levers should be facing forward, (towards the user) when off. To operate them, rotate the levers outwards to achieve the flow-rate required. To stop water flowing, rotate the levers until they are facing forward once again.

The waste plug

To the rear of the tap block is a small rod with a 'knob' fitted to the top. This can be raised and lowered to open or close the waste plug as required.



Caution: The unit is fitted with a safety mechanism, if the unit encounters an obstruction under the front portion of the basin whilst travelling downwards it will automatically stop. Pressing the 'Up' button will allow the obstruction to be removed. Care should be taken to ensure that whilst the basin assembly is moving downwards there are no obstructions left directly beneath the basin or rise & fall unit as the safety mechanism is designed to stop the unit only when the front of the basin is lifted.
If both the 'Up' and 'Dn' buttons are pressed at the same time the unit will not move.

Cleaning

The basin and vanity top may be cleaned using most mild cleaning agents. Chemical agents must not be used, i.e., drain cleaners, acetone, oven cleaners or acids. The rise and fall unit, mirror and handset should be cleaned using a warm soapy solution and rinsed with a damp cloth. Attention should always be paid to instruction labels on the outside of cleaning agent containers.

Troubleshooting

In the unlikely event that problems occur with the unit, carry out the following easy checks to determine whether or not an engineer is required.

Fault: The rise and fall unit does not travel up or down

Cause: The mains power supply has been disconnected for some time and the unit's batteries are now flat.

Remedy: Examine the green LED fitted to the right hand side of the unit. If the green LED is not illuminated neither mains electricity nor battery backup are supplying the unit. Examine the mains fuses/circuit breakers and reset as necessary and ensure that mains voltage is fully reconnected then press the reset button situated next to the handset connector. If the LED fails to illuminate an electrician needs to ensure that mains electrical supply is available at the fused spur (a fuse may have blown elsewhere in the circuit).

Fault: The rise and fall unit travels upwards but not downwards.

Cause: There is an obstruction underneath the basin.

Remedy: Depress the 'Up' button on the handset to gain clearance from the obstruction and then remove the obstruction. The rise & fall unit may then resume normal function.

If the problem persists after carrying out these remedies, please contact Astor-Bannerman on the number on the back page:

© 2013 Astor Bannerman (Medical) Limited.

Our policy is one of continuous development, and we therefore reserve the right to make technical alterations without notice. The content of this publication may not be copied either whole or in part without the consent of Astor Bannerman (Medical) Limited

Technical Specification.

Duty cycle: 10%, Maximum 2 min/18 min

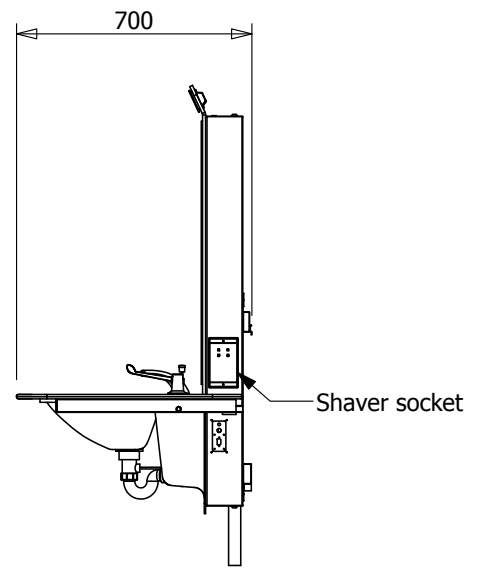
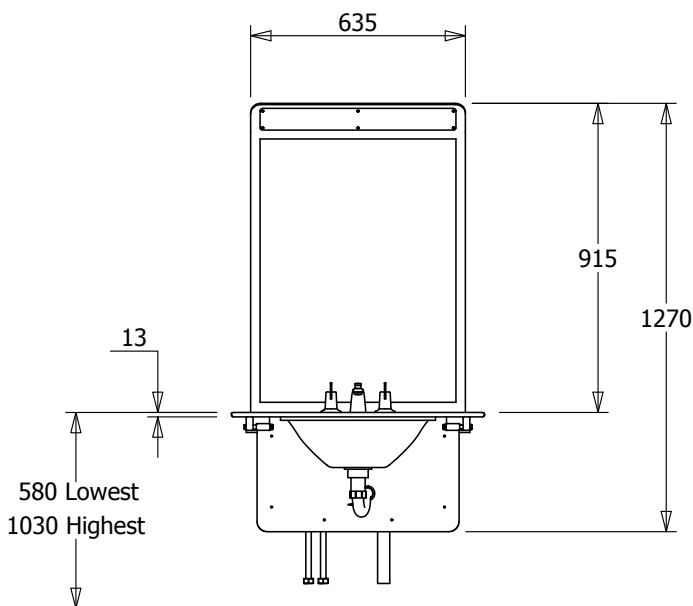
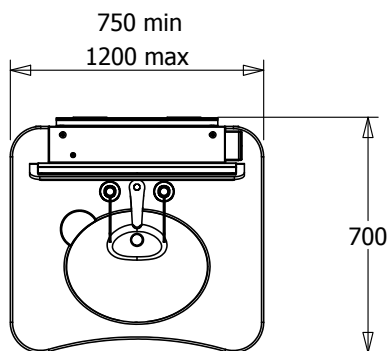
IP Rating: IP X4

Supply voltage: 230V ac

Power 0.25KW

Dry weights: 50Kg.

A weighted sound emission < 70dB(A)



Astor Bannerman (Medical) Limited
Unit 11f Coln Park, Andoversford, Cheltenham, GL54 4HJ

E: sales@astorbannerman.co.uk

T: +44 (0)1242 820820

F: +44 (0)1242 821110

Technical Helpline - 01242 822972