

Changing Places Key Measurements

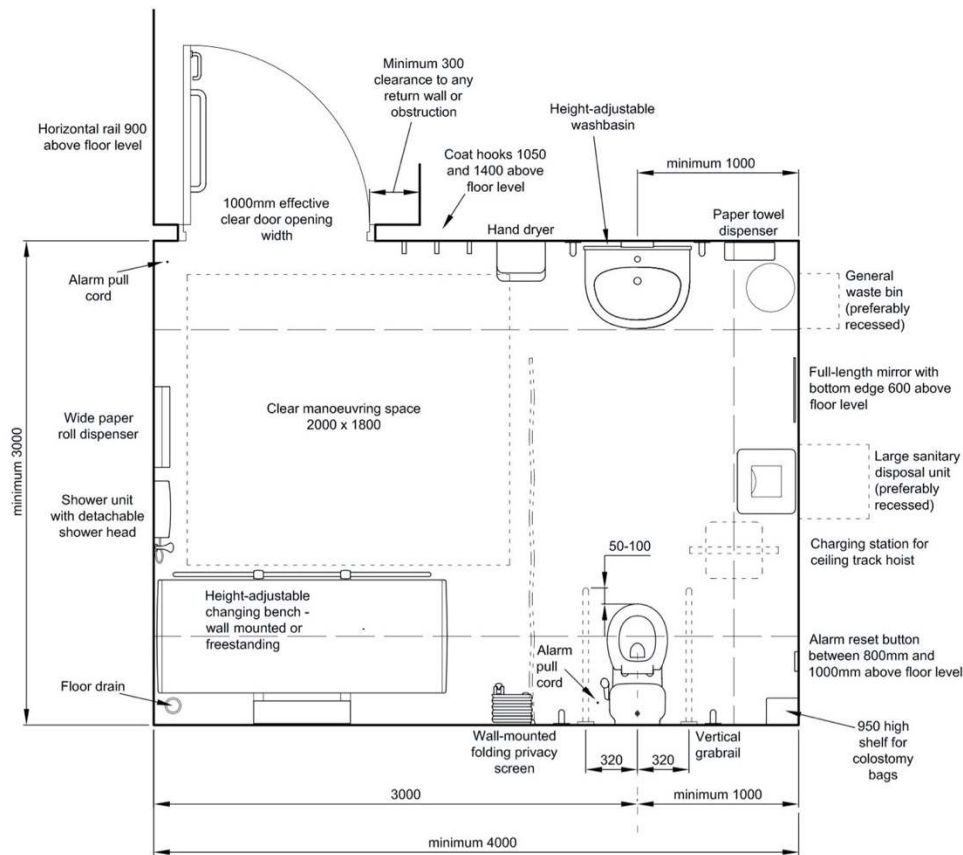


aveso

official sponsor to changing places campaign



Changing Places - Key Measurements & Design Considerations

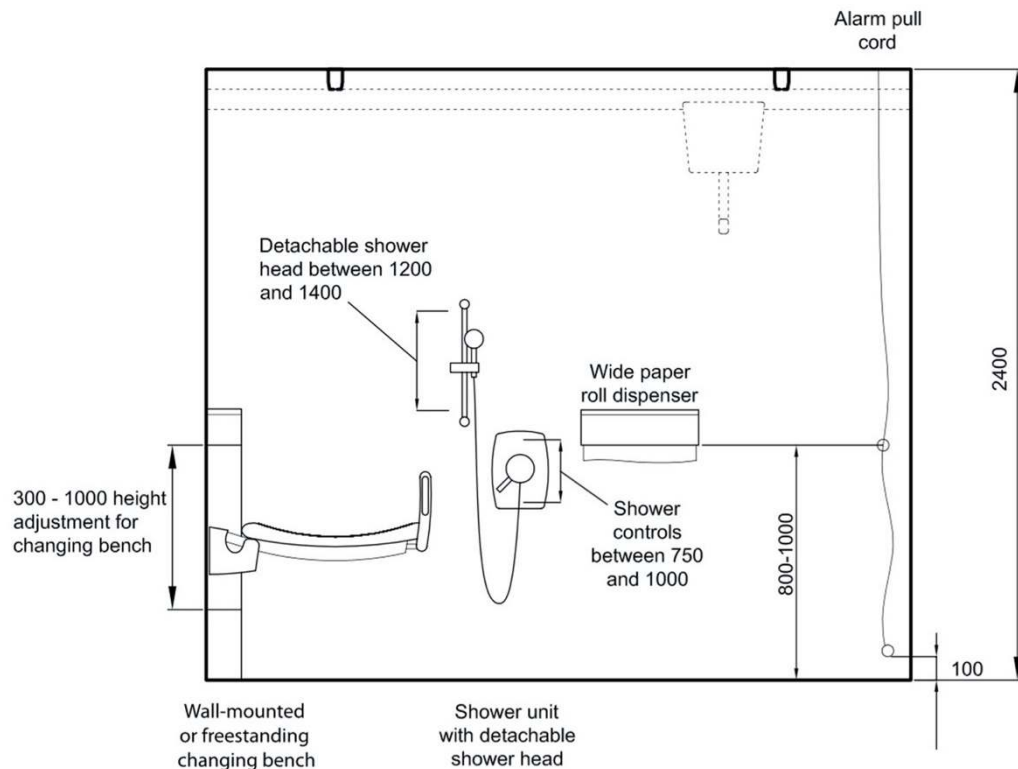


Considerations

- ✓ 12m² room is the guideline (10m² at an absolute minimum if there is no choice to increase and exceptional approval will be required).
- ✓ Ceiling Hoist H system should cover the Height Adjustable Changing Table, WC and a transfer area (2000 x 1800). Ceiling Hoist doesn't necessarily need to cover entirety of room outside these key products.
- ✓ Ensure colour contrasts are adhered to as per guidelines.
- ✓ The hand dryer should be of quiet specification.
- ✓ Coat hooks (x3) should be spaced apart and of the height dictated.



Changing Places - Key Measurements & Design Considerations



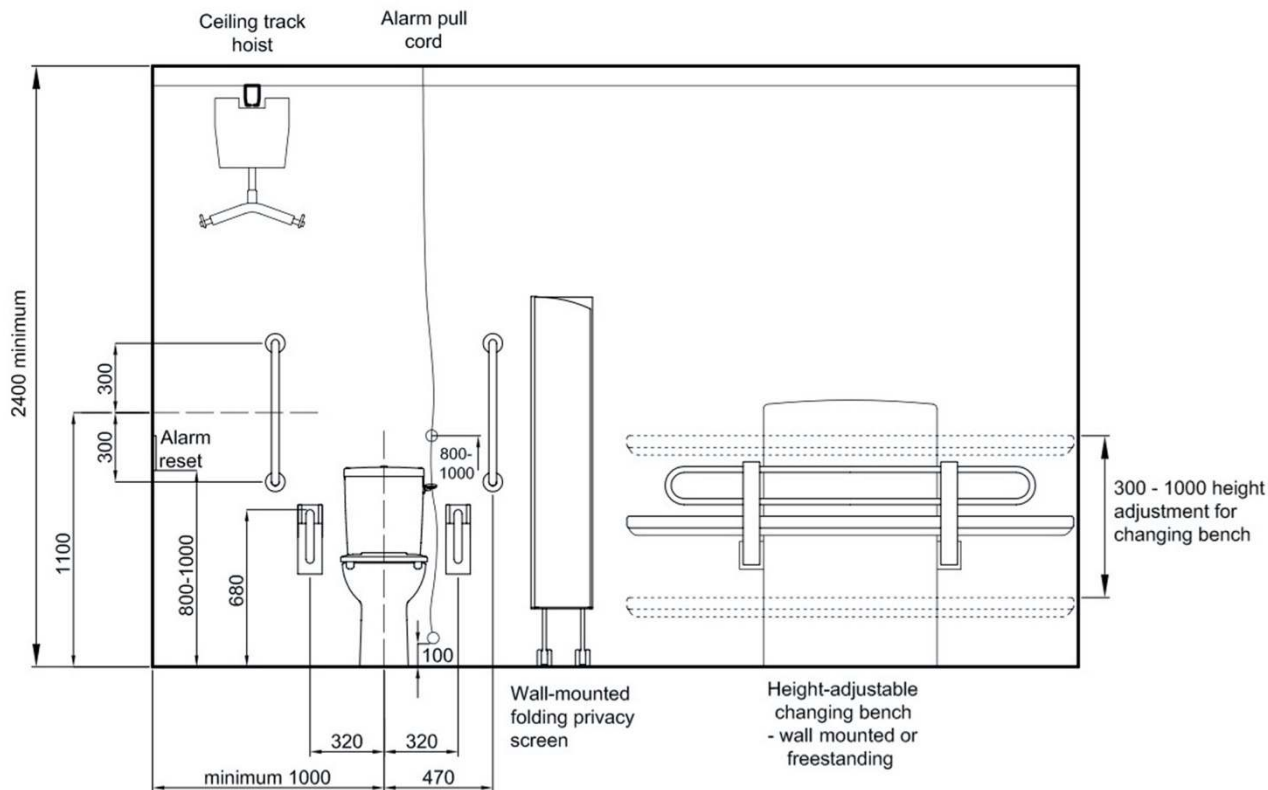
All dimensions in millimetres

Considerations

- ✓ Shower only really necessary in a wet environment (eg sports location).
- ✓ Ensure alarm pull chords are 300mm or less from corner to prevent fouling the ceiling hoist.
- ✓ Ceiling height below 2400mm should be discussed with Aveso as specialist amendments may be required to the hoist.
- ✓ Pre install requirements for Changing Table (power), Height Adjustable Washbasin (hot, cold, drain, power) have specific and important service locations that don't foul the mechanism when adjusting in height. Please consult Aveso.



Changing Places - Key Measurements & Design Considerations

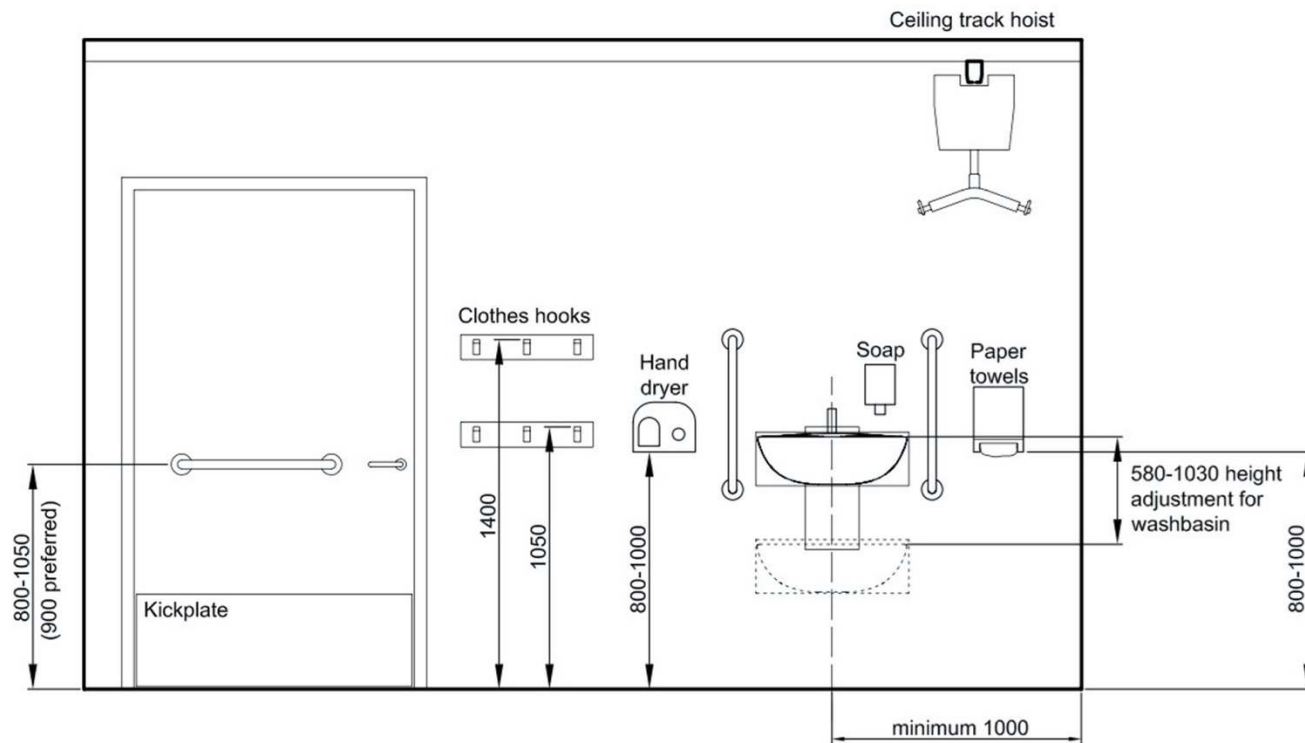


Considerations

- ✓ Wall mounted height adjustable changing table preferred to mobile due to security, less damage and fold out the way when not in use. Consider a wall mounted changing table with a water collection tray if used in conjunction with a shower.
- ✓ Wall mounted privacy screen preferred if a public location as can't be pushed over.
- ✓ Ensure a min 50mm pinch gap at end of Changing Table.
- ✓ Note grab rails and fold down support arms next to WC.
- ✓ Flooring should be suitable, non slip, easy clean. If large skirtings to be installed, adjustments will be required for the Changing Table, Hoist Fixings.



Changing Places - Key Measurements & Design Considerations



All dimensions in millimetres

Considerations

- ✓ Ceiling track hoist can be mounted on wall and ceiling, with the wall being the most common. A partition wall can support the Ceiling Hoist on wall post if lined with 25mm marine ply floor to ceiling (required for height adjustable changing table and height adjustable washbasin as well). If a structural wall, wall brackets can be used.
- ✓ The overhang between the end of the moving rail and the parallel rail for the Ceiling Hoist H system is min 250mm.
- ✓ The Ceiling Hoist requires a 5amp switched fused spur at high level 300mm in from a dry corner where the hoist will be stored.



Changing Places - Key Measurements & Design Considerations

As part of our sponsorship of Changing Places, Aveso also offer the following services for architects, surveyors and contractors at no cost.

- ✓ Free layout design advice
- ✓ Technical specification advice and templates
- ✓ Site surveys
- ✓ Assistance in Changing Places registration
- ✓ Estimates for supply and fit or supply only
- ✓ Maintenance and after sales legislation guidance

www.aveso.co.uk

+44 (0)1242 822979

info@aveso.co.uk

