

# Astor Aquba

astor  
bannerman 



*beyond routine*

## Contents

1	Introduction.....	5
2	Warranty .....	6
3	Caution, Safety info .....	7
	3.1 Regular checks .....	8
4	Finding your way round the product.....	9
5	Quick guide to operation .....	10
	5.1 Raising the basin .....	10
	5.2 Lowering the basin.....	10
	5.3 Setting your “preset heights” .....	10
	5.4 Moving to your “preset heights” .....	10
	5.5 Turning tap on / off .....	10
	5.6 Raising or lowering water temperature.....	11
	5.7 Lock.....	11
	5.8 Unlock.....	11
	5.9 Transfers/support.....	11
6	Cleaning & Care .....	12
	6.1 Suitable cleaners and disinfectants.....	12
7	Troubleshooting .....	13
8	Technical specification .....	14
9	Overall dimensions .....	15

## Contents (continued)

10	Pre-Installation .....	16
10.1	Determine installation height.....	16
10A	<b>Integrated Plumbing (recommended)</b>	
10.2A	Wall preparation & fixing points .....	18
10.3A	Electrics.....	19
10.4A	Plumbing .....	20
10B	<b>Non-Integrated Plumbing</b>	
10.2B	Wall preparation & fixing points .....	21
10.3B	Electrics.....	22
10.4B	Plumbing .....	23
11	Installation	
11.1	Unpacking & disposal of packaging.....	24
11.2	Mounting SBU.....	24
11.3	Mounting the Basin Frame .....	27
11.4	Preparing & Levelling the Basin .....	28
11.5	Electrical .....	30
11.6	Plumbing & Control .....	31
11.7	Main Cover & P Trap.....	34
11.8	Top Cover & Trap Cover.....	36
11.9	Final assembly, cleaning .....	37
11.10	Testing .....	37
12	Moving and transporting the equipment.....	38
13	Product disposal.....	38
14	Certificate of Conformity .....	39
15	Replaceable parts .....	40
16	Declaration .....	40
17	Service record .....	41
18	Training record .....	42

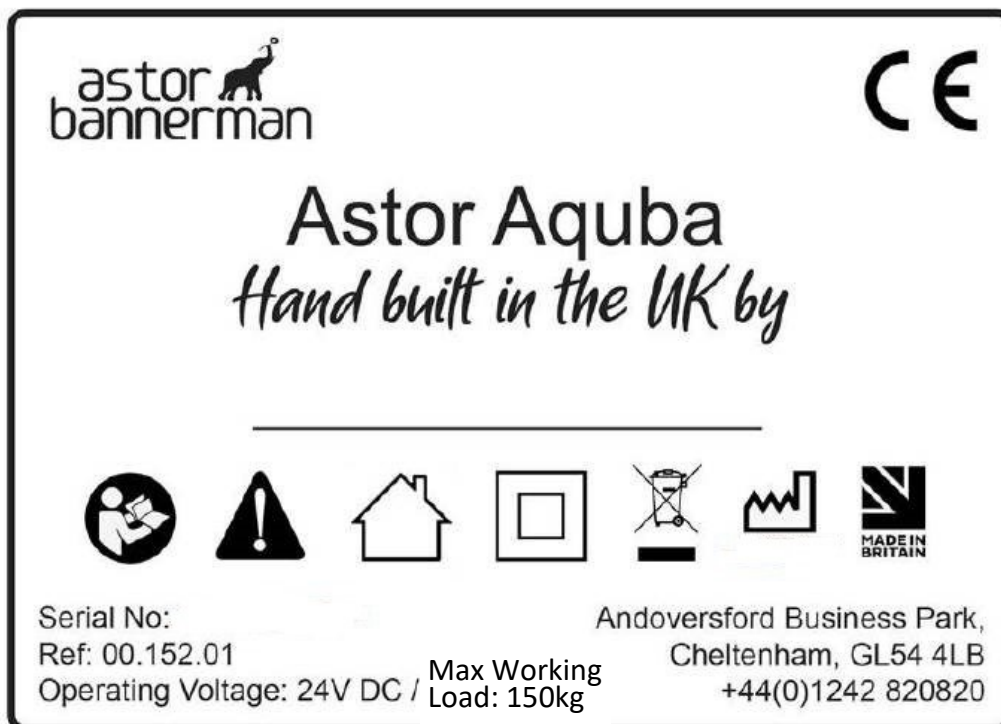
## Contents: Figures

Figure 1a/b/c	Finding the way around your product .....	9
Figure 2	Control panel detail .....	9
Figure 3	Fixing Points - integrated plumbing .....	18
Figure 4	Electrics - integrated plumbing .....	19
Figure 5	Integrated plumbing .....	20
Figure 6	Fixing Points - non-integrated plumbing .....	21
Figure 7	Electrics - non-integrated plumbing .....	22
Figure 8	Non-Integrated plumbing .....	23
Figure 9	SBU Mounting diagram .....	25
Figure 10	Insert fixings .....	26
Figure 11	Fit basin frame .....	27
Figure 12	Fit tap to basin .....	28
Figure 13	Waste and overflow .....	29
Figure 14	Fit M10 screws and lock nuts .....	29
Figure 15	Earth harness .....	30
Figure 16	Plumbing and control .....	32
Figure 17	Cover .....	33
Figure 18	Fit cover .....	34
Figure 19	Fix cover with screws .....	34
Figure 20	Fit metal drive part .....	35
Figure 21	Fit p-trap .....	35
Figure 22a	Fit top cover .....	36
Figure 22b	Apply pressure to top cover .....	36
Figure 23	Label.....	37

## 1 Introduction

The **Astor Aquba** height adjustable basin is the smallest completely integrated unit available to make it one of the most wheelchair accessible basins, and perfect for under window installations. With the choice to pre-set two heights or freely adjust to any height, this is the perfect option for multi-user environments, and family usage.

There are 3 basin width options: 600mm, 750mm and 900mm, and the choice of 3 colours for the hand rail: Coral, Silver or Matte Black, making this a versatile option that will fit perfectly into any room decor.



The label features the Astor Bannerman logo in the top left and the CE mark in the top right. The product name 'Astor Aquba' is prominently displayed in the center, followed by the phrase 'Hand built in the UK by' in a script font. Below this, a row of seven icons represents various features and certifications: a person in a wheelchair, a warning triangle, a house, a square, a crossed-out trash can, a factory, and the 'MADE IN BRITAIN' logo. At the bottom, technical specifications and contact information are provided.

Serial No:  
Ref: 00.152.01  
Operating Voltage: 24V DC / Max Working Load: 150kg

Andoversford Business Park,  
Cheltenham, GL54 4LB  
+44(0)1242 820820

## 2 Warranty

Once registered, this product has a **3 year warranty** against all defects in manufacture of the product. This does not affect your statutory rights.

To **validate your warranty** and for full terms and conditions, please register your product and your details immediately:

on-line at: <https://www.astorbannerman.co.uk/services/>

email our support team: [support@astorbannerman.co.uk](mailto:support@astorbannerman.co.uk)

or call us on +44 (0)1242 820820

This warranty is provided by Astor-Bannerman to the registered customer.

Equipment requiring commissioning must be commissioned for this warranty to be valid.

To maintain the warranty, the equipment must be serviced at least on an annual basis by a competent, factory trained technician. Service or repairs undertaken by persons other than competent qualified technicians will invalidate this warranty.



## 3 Caution, safety information and checks

- Before raising/lowering the basin, check that the area above/below and around is free from obstructions and that nothing is caught on the basin or the rails. Ensure that the person using the basin is not positioned too close to it (especially if they may obstruct access to the control panel).
- Ensure that nothing is put into the cover slots and before raising/lowering, ensure that nothing is obstructing the cover slots; in particular, be careful that no one has their hands (or any other part of the body) near the cover slots (see Figure 1).
- Avoid allowing any part of the wheelchair (especially footplates or similar) to collide with the unit as it may be damaged.
- Do not use the basin if it is (or suspected to be) leaking, or if there is any risk that water or other liquid has got inside the cover.
- The rail (see Figure 1) is intended to be used to assist the user to make transfers or to support themselves; it is not intended as a standing or rising aid. Please see the Astor-Bannerman brochure or website or contact the sales team on +44 (0)1242 820820 for details of Astor-Bannerman products that provide standing/rising assistance. Maximum load for use of the rail as a support or transfer aid is 150kg.

## 3.1 Regular checks

Please note that the cover must be removed to complete servicing tasks (this includes all annual tasks) which must only be done by a qualified person.

Tasks to be completed:	Before Use	Weekly	Annually	Every 5 Years
Check for <b>leaks</b>	✓			
Disinfection of <b>drain</b>		✓		
<b>Plug</b> operation check (closes and opens)		✓		
Hot & cold <b>water flow</b>		✓		
<b>Rise and fall:</b> full function test of the equipment; smooth; no unusual noise		✓		
<b>Service</b> (Astor-Bannerman service options available)			✓	
Replace <b>water hoses</b>			✓	
Check <b>waste pipe</b> for leaks			✓	
Check <b>power cables</b> for wear /rubs			✓	
<b>Cables:</b> Check that all cables from the power supply/control unit are securely fitted			✓	
<b>Corrosion:</b> inspect the unit for any signs of corrosion			✓	
<b>Fixings:</b> Inspect all visible nuts, bolts etc to see that they are secure			✓	
Check /replace <b>TMV</b> to ensure correct operation and no leaks)			✓	
Replace <b>inlet hoses</b> and <b>flexible waste</b>			✓	
Check <b>basin is level</b>			✓	
<b>Actuator</b> service			✓	
Check <b>seal at the back of the top cover</b> is intact. Replace if necessary			✓	
Service <b>tap</b>				✓



## 4 Finding your way round the product

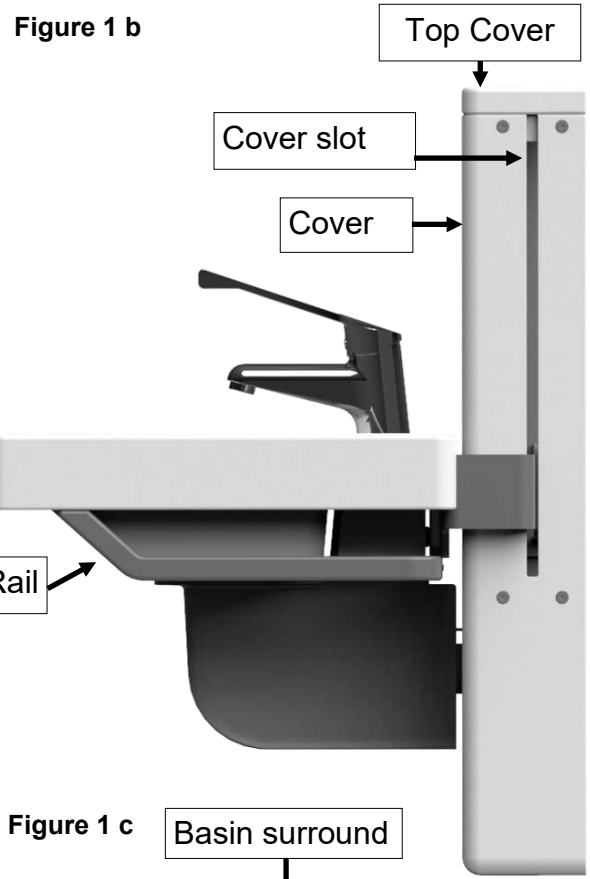
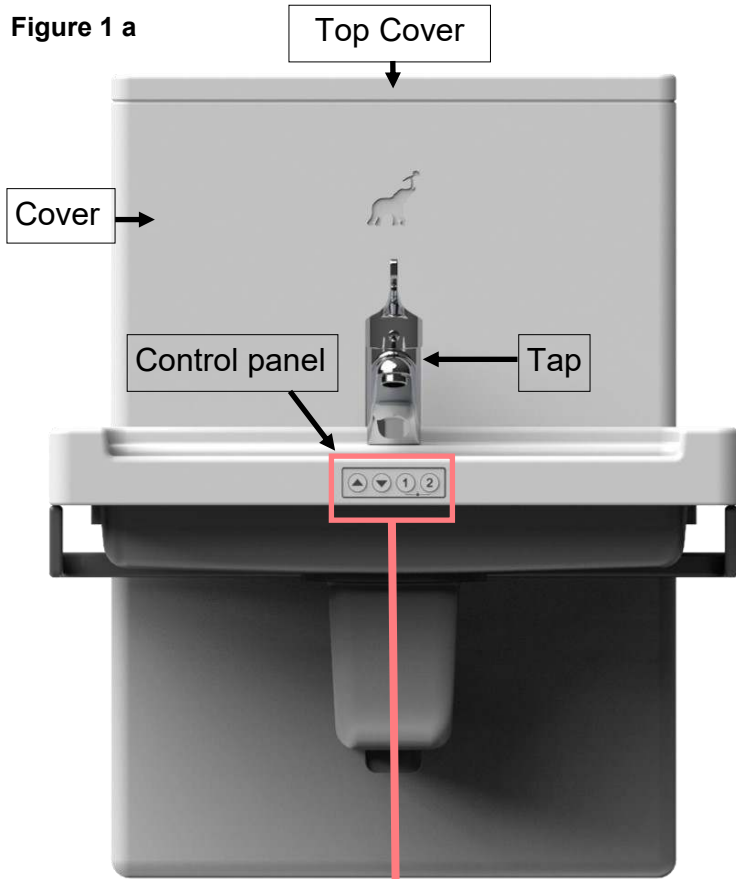
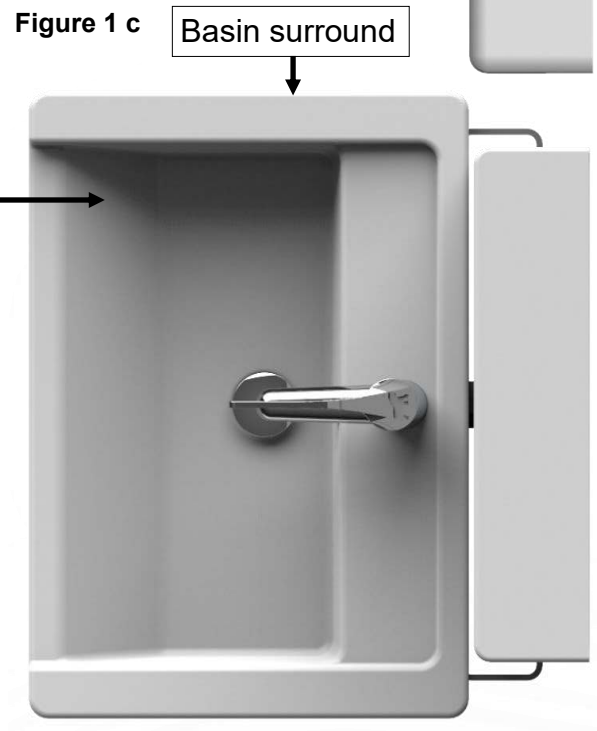
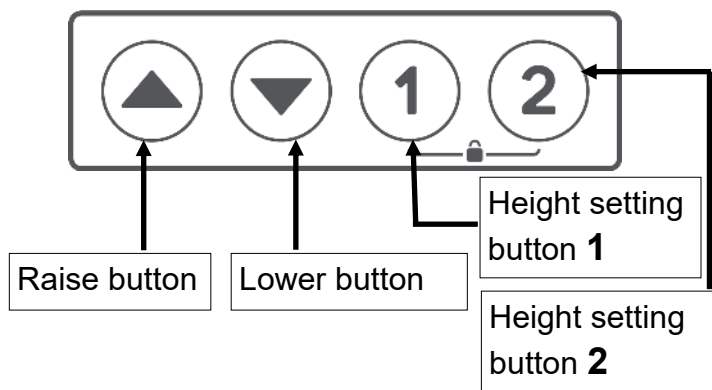



Figure 2 Control panel detail




## 5 Quick guide to operation

### 5.1 Raising the basin

- Check that the area above and around the basin is clear and free from obstructions. Check that the user is not positioned too close to the basin (especially if they may obstruct access to the control panel)
- Press the  raise button (see Figure 2 Control panel detail) on the control panel until the basin reaches the desired height

### 5.2 Lowering the basin

- Check that the area below and around the basin is clear and free from obstructions. Check that the user is not positioned too close to the sink (especially if they may obstruct access to the control panel)
- Press the  lower button (see Figure 2 Control panel detail) on the control panel until the sink reaches the desired height

### 5.3 Setting your “preset heights”

- Use the up/down buttons to adjust the basin to the height required
- Press and hold height setting button **1** (see Figure 2 Control panel detail) for 3 seconds to set this as its standard position. The unit will beep when the height has been set
- Repeat to set a second height for button **2**

### 5.4 Moving to a “preset height”

- Check that the area above/below and around the basin is clear and free from obstructions. Check that the user is not positioned too close to the basin (especially if they may obstruct access to the control panel)
- Once the standard positions have been set (by following the instructions in section 5.6), the basin may be moved to the preset heights by a short press of height setting button **1** or **2** (see Figure 2 Control panel detail)

### 5.5 Turning tap on / off

- **On:** Lift the tap lever; water flow will increase. At the desired flowrate, release the tap handle
- **Off:** Lower the tap lever; water flow will decrease. The flow will stop by the time the lever is down as far as it will go

## 5 Quick guide to operation (continued)

### 5.6 Raising / lowering water temperature

- Rotate the tap lever counter-clockwise to reduce the water temperature (make it cooler)
- Rotate the tap lever clockwise to increase the water temperature (make it hotter)

### 5.7 Lock

- Press and hold height setting buttons **1** & **2** (see Figure 2 Control panel detail) for 3 seconds to lock the unit (i.e. prevent the sink moving up or down)
- Unit will beep once when locking has been successful
- If any button on the control panel is pressed before it's unlocked, the unit will beep twice to indicate that it is locked

### 5.8 Unlock

- Press and hold height setting buttons **1** & **2** (see Figure 2 Control panel detail) for 3 seconds to unlock the unit (i.e. allow the sink to move up or down again after it has been locked)
- Unit will beep once when unlocking has been successful

### 5.9 Transfer / support

- The rail (see Figure 1) is intended to be used to assist the user to make transfers or to support themselves; it is not intended as a standing or rising aid, please see Astor-Bannerman catalogue or contact the sales team on +44 (0)1242 820820 for details of Astor-Bannerman products that provide standing/rising assistance. Maximum working load for use of the rail as a support or transfer aid is 150kg.

## 6 Cleaning & care

### 6.1 Suitable cleaners and disinfectants

The AQUBA basin is produced from a high quality Corian like material, and therefore needs to be cleaned with consideration in order to ensure it is not damaged.

- The basin should be cleaned using a warm soapy solution and rinsed with a damp cloth.
- Most **mild** cleaning agents are suitable.
- Chemical agents, solvents and bleaches **must not** be used on the basin, surround or cover, e.g. drain cleaners, acetone, oven cleaners or acids.
- Ensure drain cleaner or bleach **does not** come in contact with the basin.
- **Test new cleaners** and disinfectants on an inconspicuous area first. Attention should always be paid to instruction labels of the cleaning agent/ disinfectant.
- The cleaner “**BAR KEEPERS FRIEND**” is particularly effective at cleaning the basin and worktop.

## 7 Troubleshooting

### **Problem: My basin won't move but beeps twice when I press a button**

**Suggestion:** The unit may be locked out, this is a feature that can be used to prevent accidental movement of the sink e.g. if there are young children in the house who may try to play with the sink. Press and hold height setting buttons 1 & 2 for 3 seconds to unlock the unit; unit will beep once when unlocking has been successful and should now move when the raise or lower or height set buttons are pressed.

### **Problem: The tap lever is too long and in my way when using the basin**

**Suggestion:** Longer tap levers are specified as standard on the Aquba basin, as this reduces the force required to operate the tap and for most customers this is a high priority. A shorter tap lever is available if required as a spare part.

### **Problem: The water is too hot at its maximum setting**

**Suggestion:** The thermostatic valve may have been set incorrectly during installation or servicing. Please contact Astor-Bannerman service team on +44 (0)1242 820820 or [support@astorbannerman.co.uk](mailto:support@astorbannerman.co.uk) to request a service call to reset it.

### **Problem: My basin unexpectedly stops moving**

**Suggestion:** The basin is fitted with a collision sensor which stops the sink moving if it encounters too much resistance. First check that the sink has not collided with something, and that nothing has been put into the travel slots. If the path is clear it could be that the collision sensor mechanism has been set incorrectly. Please contact Astor-Bannerman service team on 01242 820820 or [support@astorbannerman.co.uk](mailto:support@astorbannerman.co.uk) to request a service call to reset it.

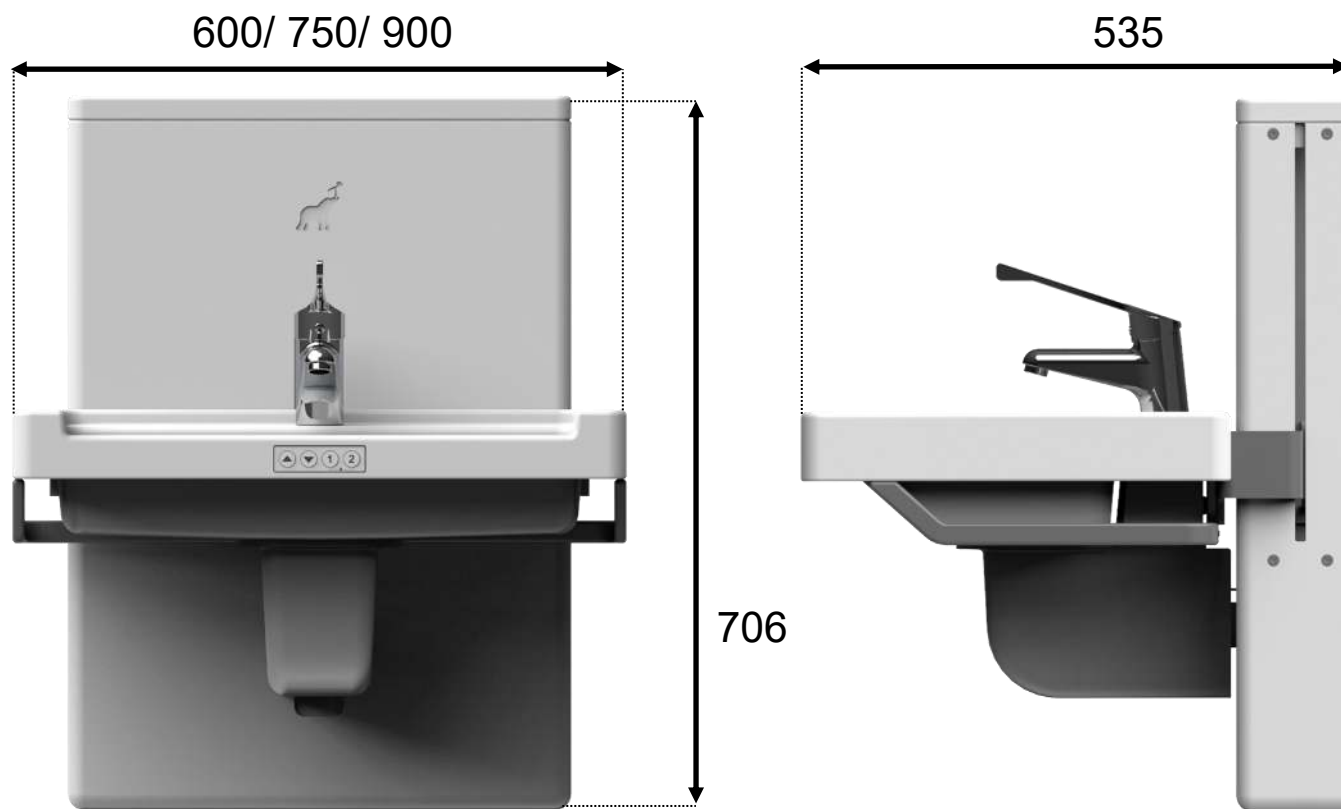
### **Problem: I have an idea for improving my product; some feedback, or there's something that doesn't work as expected**

**Suggestion:** Astor-Bannerman are committed to continuous improvement. Please contact our service department with suggestions, improvements, feedback or to let us know of any problems with your product on +44 (0)1242 820820 or [support@astorbannerman.co.uk](mailto:support@astorbannerman.co.uk)

## 8 Technical specification

<b>IP Rating</b>	Tested in accordance to IPX4
<b>Supply voltage</b>	230V AC (UK and Australia)
<b>Maximum working load</b>	150kg
<b>A weighted sound emission</b>	LAeq 51 db
<b>Width</b>	600mm/ 750mm/ 900mm
<b>Height</b>	706mm
<b>Depth</b>	535mm
<b>Weight of product</b>	600mm: 41.3kg    750mm: 45.6kg    900mm: 48.8kg
<b>Ambient temperature range</b>	0-50°C
<b>Relative humidity range</b>	20-100°C

## 9 Overall Dimensions (all dimensions are in mm)



## 10 Pre-Installation

Please note that the basin cannot be installed unless all the pre-installation steps have been completed as described.

### 10.1 Determine installation height

The unit may be mounted at any height depending on your requirements, we suggest that you determine the required range of heights for the basin and then use the table below to work out the required height to top of unit; please contact Astor-Bannerman if you require assistance.

Depending on your application we recommend an assessment is completed to ensure the product is optimally mounted for your end user(s).

As part of these considerations, please check that any wheelchairs or other devices fit under the basin to the desired position (foot rests in particular may be overlooked; neither the footrest nor the foot should be able to collide with the basin cover)

Consideration must also be given to Building Regulations and Standards.

BS 8300-2:2018 states that the rim must be 780mm-800mm above the floor, 2010 Part M Volume 1 states the rim is typically 770mm-850mm above the floor and 2010 Part M Volume 2 (non-dwelling) states that the rim should be set at 720mm-740mm above the floor.

	Basin height	Height to top of unit	Clearance under unit
Standard fixed basin	0.85m		
BS8300-2 2018	0.78m - 0.8m		
Building Regulations 2010 Part M Vol 1 Buildings	0.77m - 0.85m		
Building Regulations 2010 Part M Vol 2 Buildings other than dwelling	0.72m - 0.74m		
Astor Aquba height adjustable basin recommended installation	0.66m – 0.96m	1m	0.29m
MY INSTALLATION			(Minimum 150mm)

**Please note that the following instructions are based on a mounting height of 1m to top of unit. Please adjust accordingly if your mounting height is different.**



## 10 Pre-Installation

### Integrated or Non-Integrated plumbing?

The product can be installed as an integrated or non-integrated assembly:

- In an integrated installation the plumbing comes out from the wall inside the product; all plumbing is hidden by the cover. This is our recommendation.

**For Integrated Plumbing, follow section 10A Pre-Installation instructions**

- In a non-integrated installation the plumbing comes up from the floor outside the unit; this is not recommended unless it is essential, as the plumbing connections will be visible.

**For Non-Integrated Plumbing, follow section 10B Pre-Installation instructions**

## 10 Pre-Installation

### 10A: Integrated (for non-integrated go to section 10B)

#### 10.2A Wall preparation & fixing points (Integrated)

- The product must be mounted into a suitably reinforced wall with appropriate fixings (Note: Maximum load of 150kg plus consider weight of full basin). If the basin is to be fixed to a stud wall, the wall will need special reinforcement, either 150mm/6" noggins or 25mm/1" marine or exterior plywood may be used to cover the entire fixing area, secured to the stud work every 200mm.
- The wall must be flat otherwise the product will not mount correctly.
- Install 4 appropriate fixing points as shown in Figure 3.
- Due to the variety and complexity of different building methods Astor-Bannerman do not supply installation fixings and anchors.

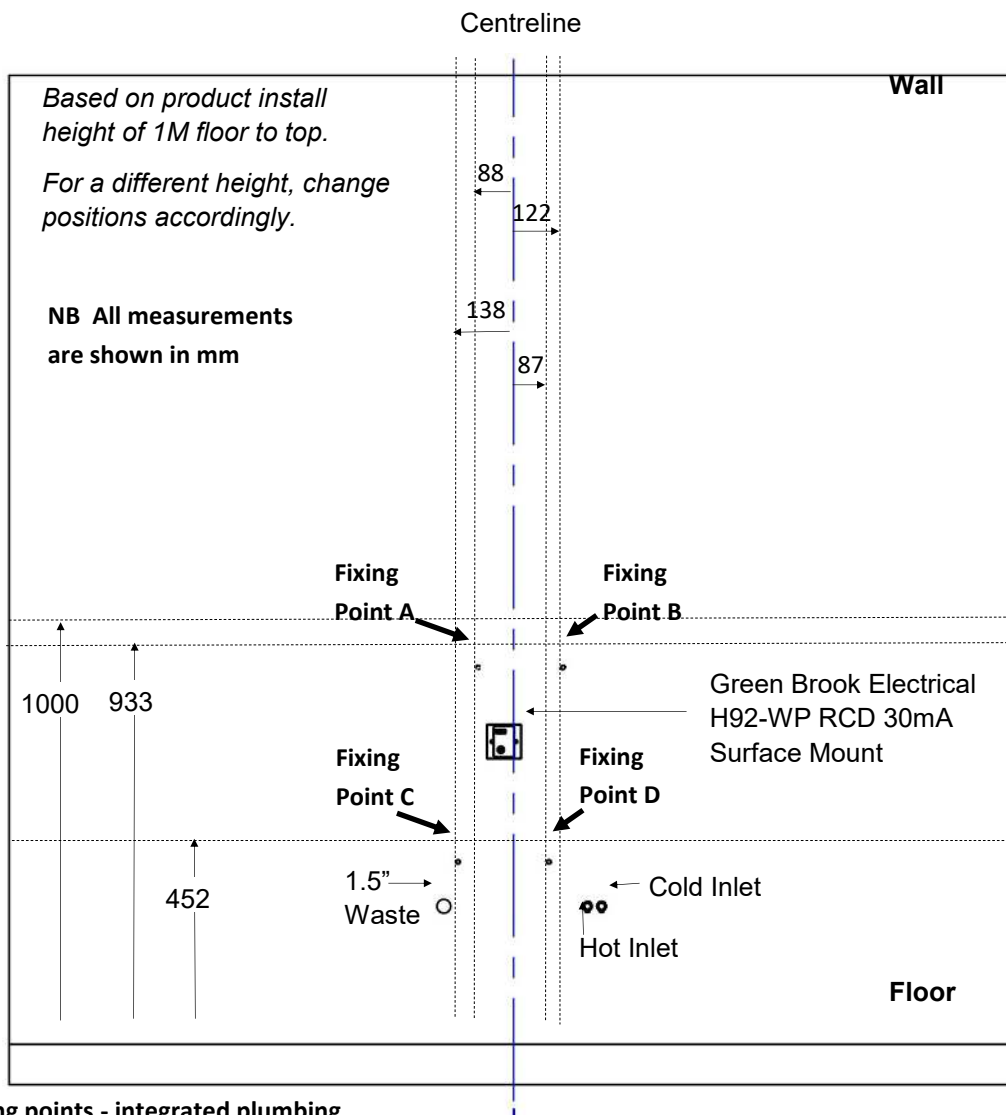


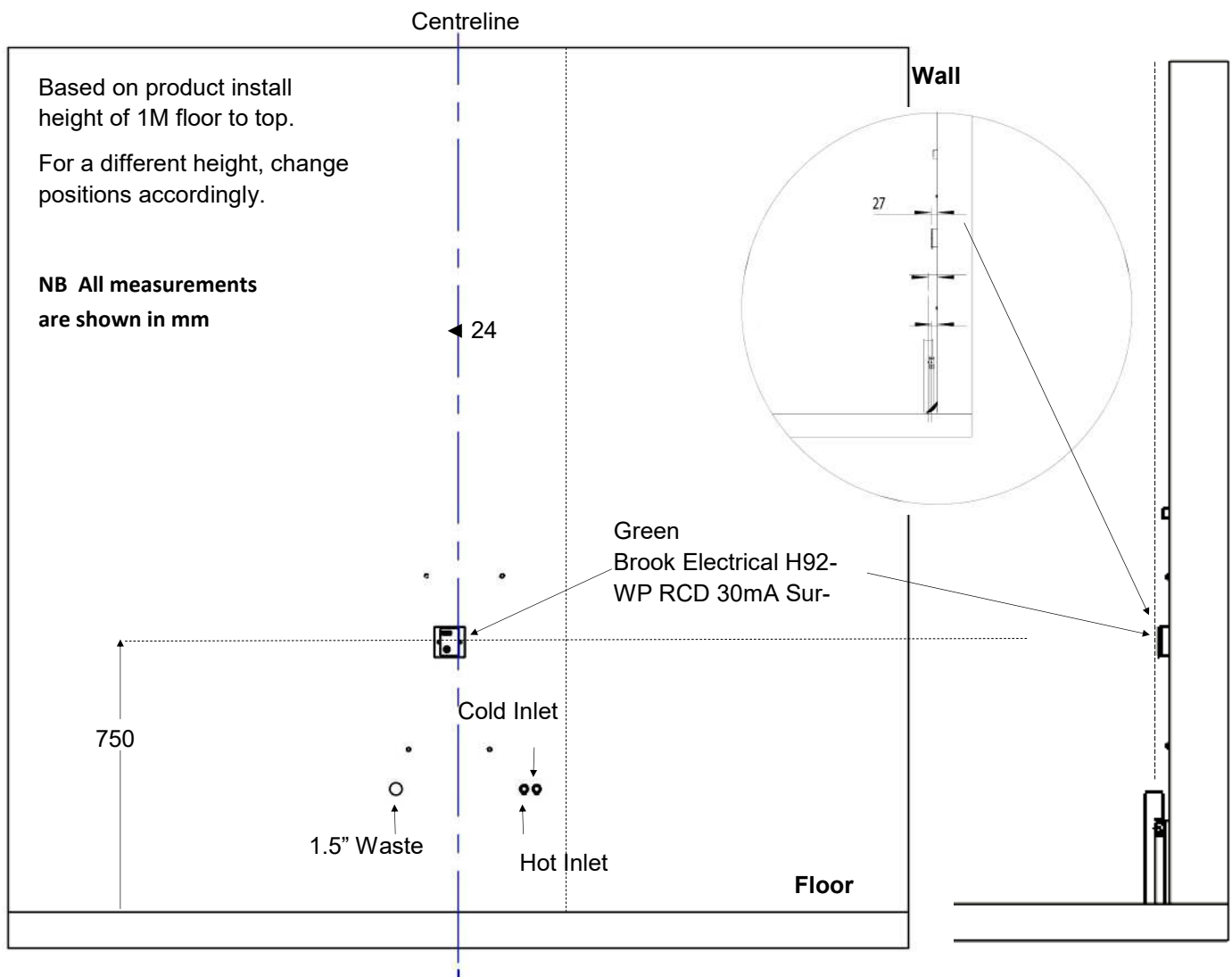
Figure 3 Fixing points - integrated plumbing

## 10 Pre-Installation

### 10.3A Electrics (*Integrated Installation*)

- The product is supplied by mains electricity and transformed to 24V within the unit.
- Fit a 30mA RCD protected fused spur; Green Brook Electrical, H92-WP RCD 30mA Surface Mount should be used. This must be connected to the provided earth strap on the product during installation.
- A suitable isolation switch should be fitted externally to the product in line with electrical safety standards.

Figure 4 Electrics - integrated plumbing

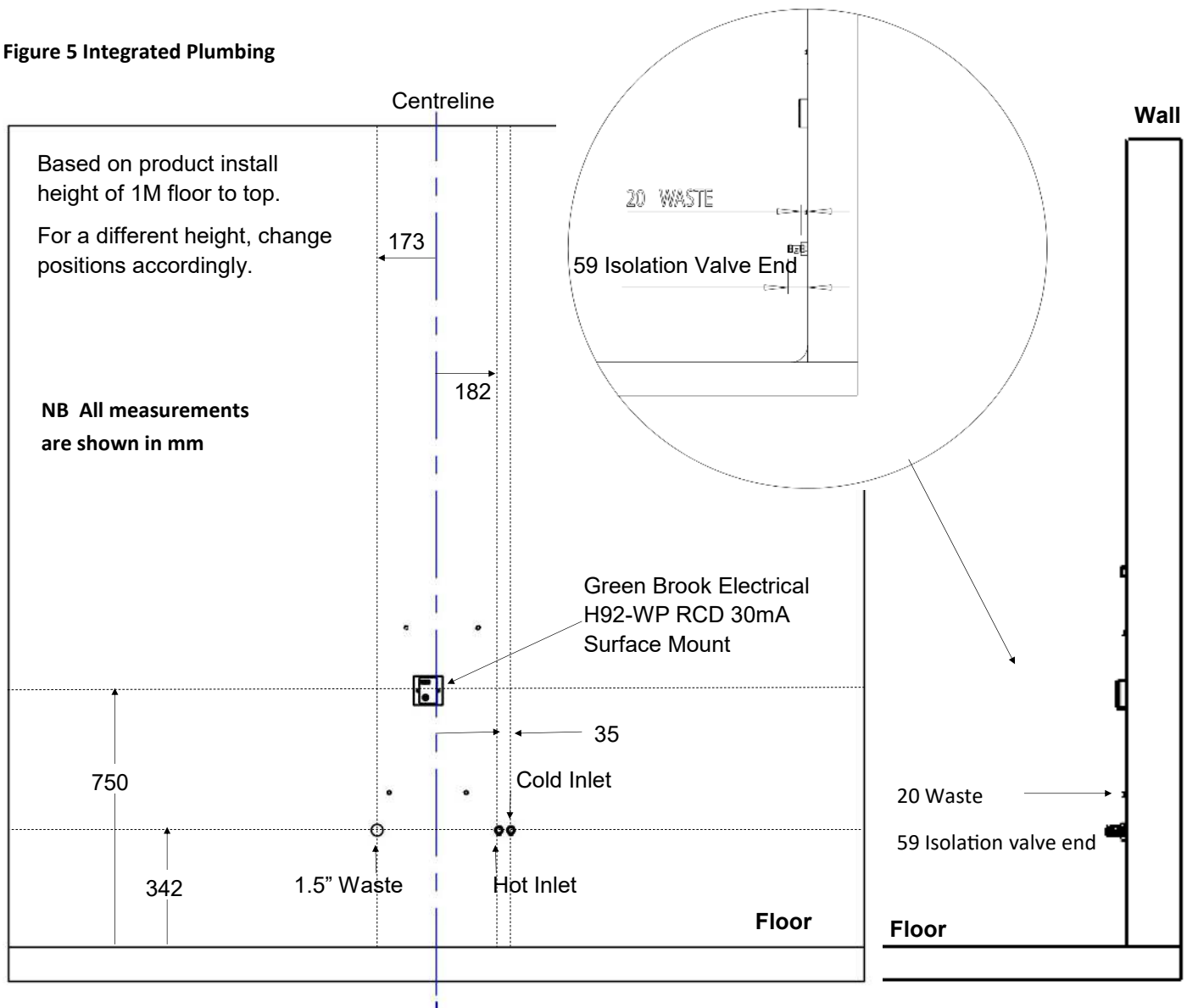


## 10 Pre-Installation

### 10.4A Plumbing (*Integrated Installation*)

- Mains water 15mm inlet hot & cold fixed position coming out from the wall fitted with 15mm compression fitting isolation valves. **Ensure on/off access to isolation valve faces the floor**
  - Please note the maximum protrusion shown on Figure 4 overleaf
- Waste 1.5" outlet fixed position coming out from the wall.
- See Figure 4 overleaf for measurements & detail.

Figure 5 Integrated Plumbing



## 10 Pre-Installation

### 10B Non-Integrated (for Integrated go to section 10A)

#### 10.2B Wall preparation & fixing points (Non-Integrated)

- The product must be mounted into a suitably reinforced wall with appropriate fixings (Note: Maximum load of 150kg plus consider weight of full basin). If the basin is to be fixed to a stud wall, the wall will need special reinforcement, either 150mm/6" noggins or 25mm/1" marine or exterior plywood may be used to cover the entire fixing area, secured to the stud work every 200mm.
- The wall must be flat otherwise the product will not mount correctly.
- Install 4 appropriate fixing points as shown below.
- Due to the variety and complexity of different building methods Astor-Bannerman do not supply installation fixings and anchors.

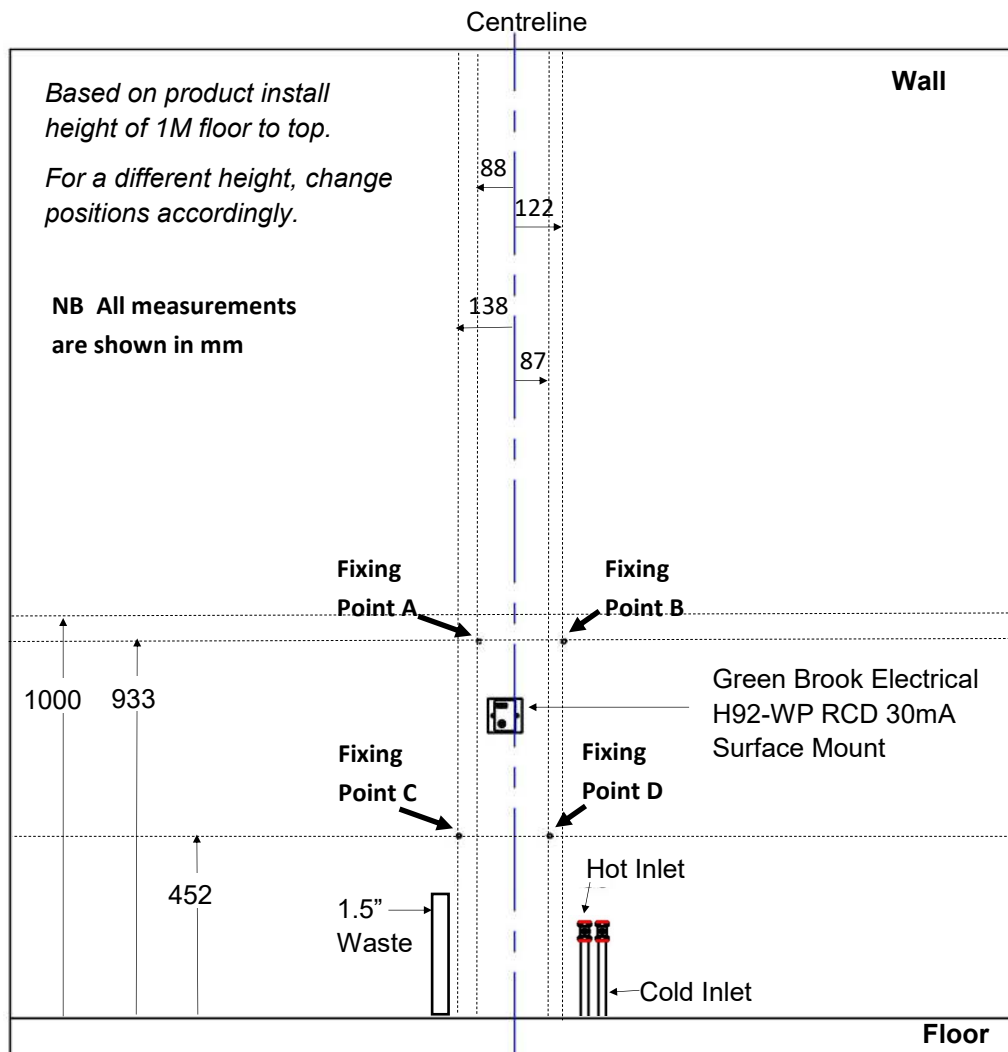


Figure 6 Fixing points - non-integrated plumbing

## 10 Pre-Installation

### 10.3B Electrics (*Non-Integrated Installation*)

- The product is supplied by mains electricity and transformed to 24V within the unit.
- Fit a 30mA RCD protected fused spur; Green Brook Electrical, H92-WP RCD 30mA Surface Mount should be used. This must be connected to the provided earth strap on the product during installation.
- A suitable isolation switch should be fitted externally to the product in line with electrical safety standards.

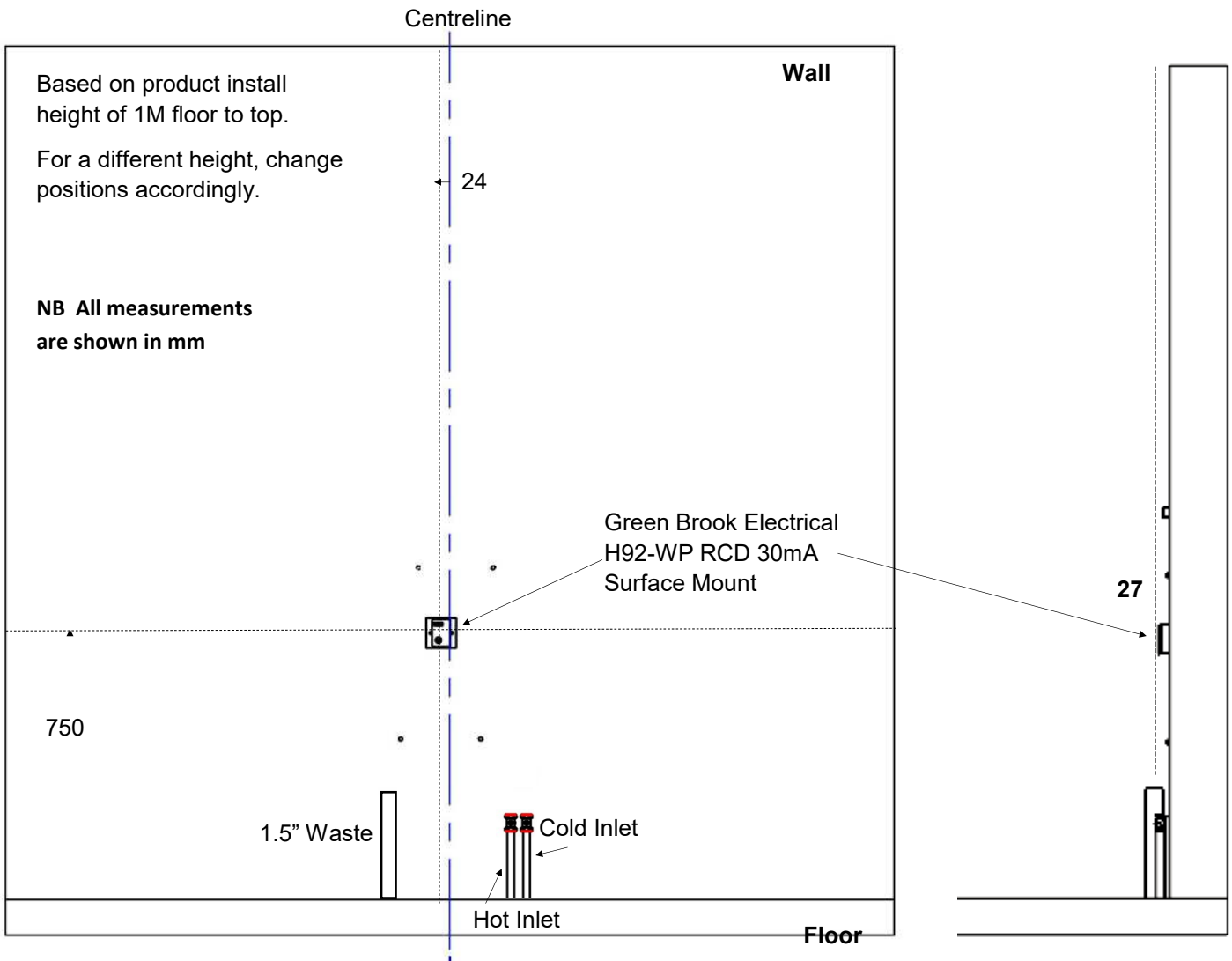


Figure 7 Electrics - non-integrated plumbing

## 10 Pre-Installation

### 10.4B Plumbing (*Non-Integrated Installation*)

- Mains water 15mm inlet hot & cold fixed position coming up from the floor fitted with 15mm compression fitting isolation valves.

**Ensure on/off access to isolation valve faces out into the room.**

- Please note the maximum protrusion shown on Figure 5 overleaf
- Waste 1.5" outlet fixed position coming up from the floor.
- Any boxing in must be removable or positioned in relation to the cover to allow access for servicing.
- Wall clips must be used to secure pipework (waste, hot and cold inlets) to the wall

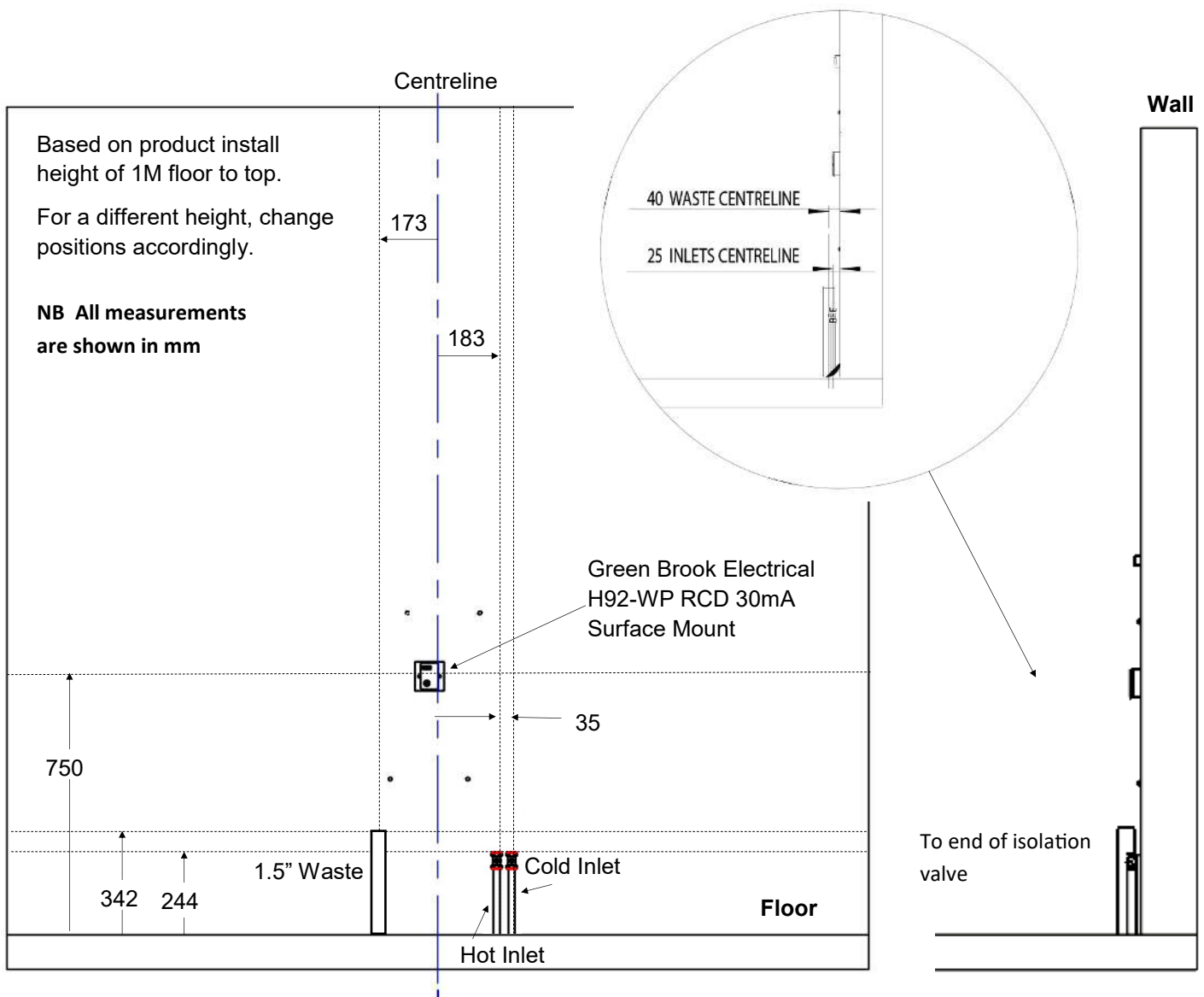


Figure 8 Non-integrated plumbing

## 11 Installation

### 11.1 Unpacking & disposal of packaging

When ready to install, the box may be opened and the sink removed. Cardboard should be recycled (curbside or municipal disposal will depend on your location).

### 11.2 Mounting SBU

Refer to Figure 6 SBU Mounting Diagram. Dimensions are for guidance only - please follow the installation instructions below & Figure 7.

**NB all markings made on the wall for installation should be hidden by the product once it is installed**

1. Lift product onto wall so that mounting points A & B are 933mm from the floor
2. Centre & level metal frame
3. Mark mounting points A & B on the wall
4. Put SBU aside
5. Insert suitable fixings into the wall at A & B, leaving at least a 5mm gap behind the head of the fixings
6. Return product to wall. The keyhole shaped gaps mounting holes in the backplate of the SBU should drop and hang on your fixings at points A & B
7. Check metal frame is still centred & level
8. Mark mounting points C & D
9. Remove SBU and put product aside
10. Make any wall preparations required for mounting point fixings C & D
11. Repeat step 6
12. Tighten the suitable fixings used at A & B
13. Insert & tighten suitable fixings at C & D
14. Check SBU is now securely mounted to wall and capable of holding 150kg



## 11 Installation

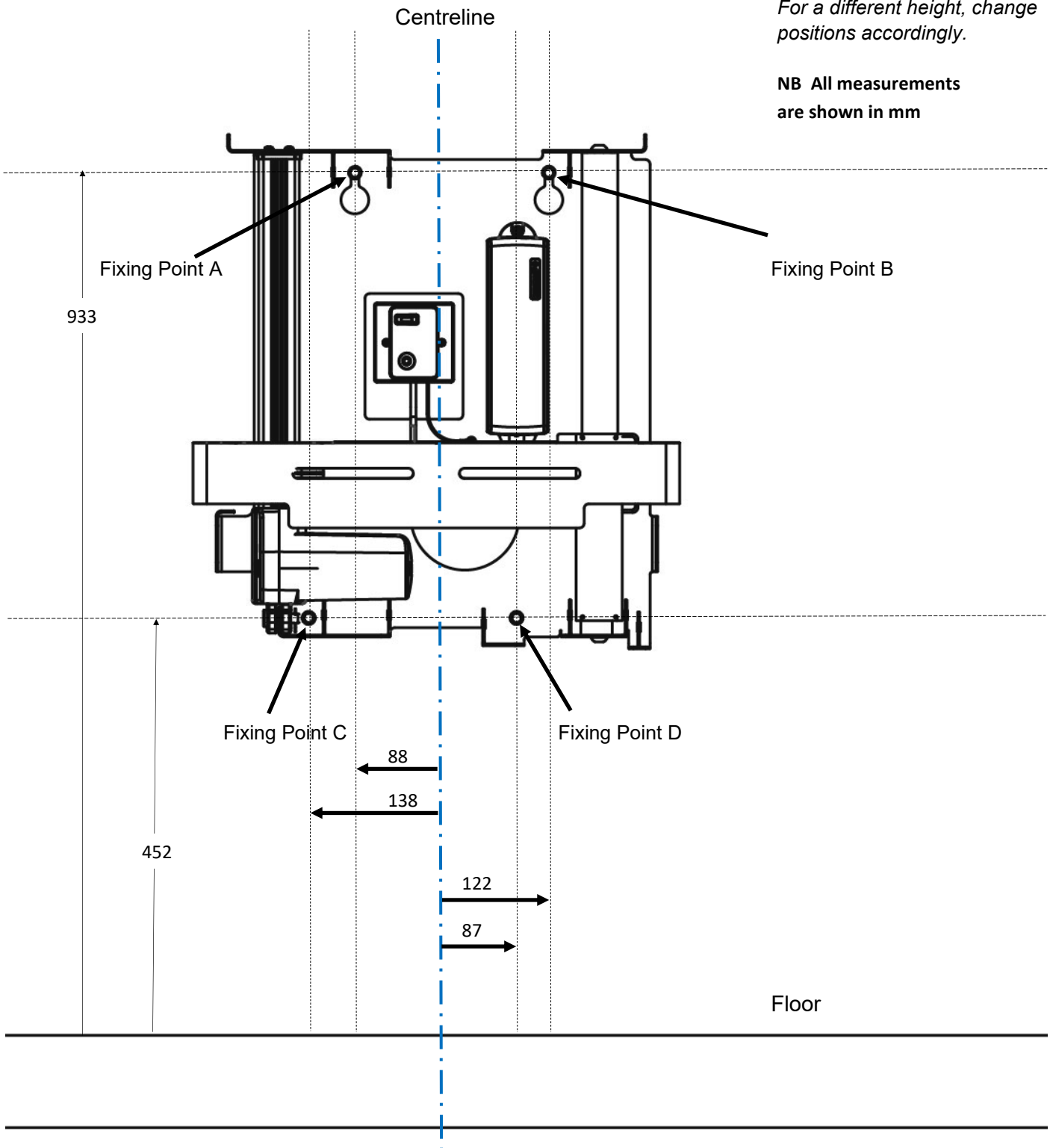
### 11.2 Mounting SBU (continued)

Figure 9 SBU Mounting Diagram

*Based on product install height of 1M floor to top.*

*For a different height, change positions accordingly.*

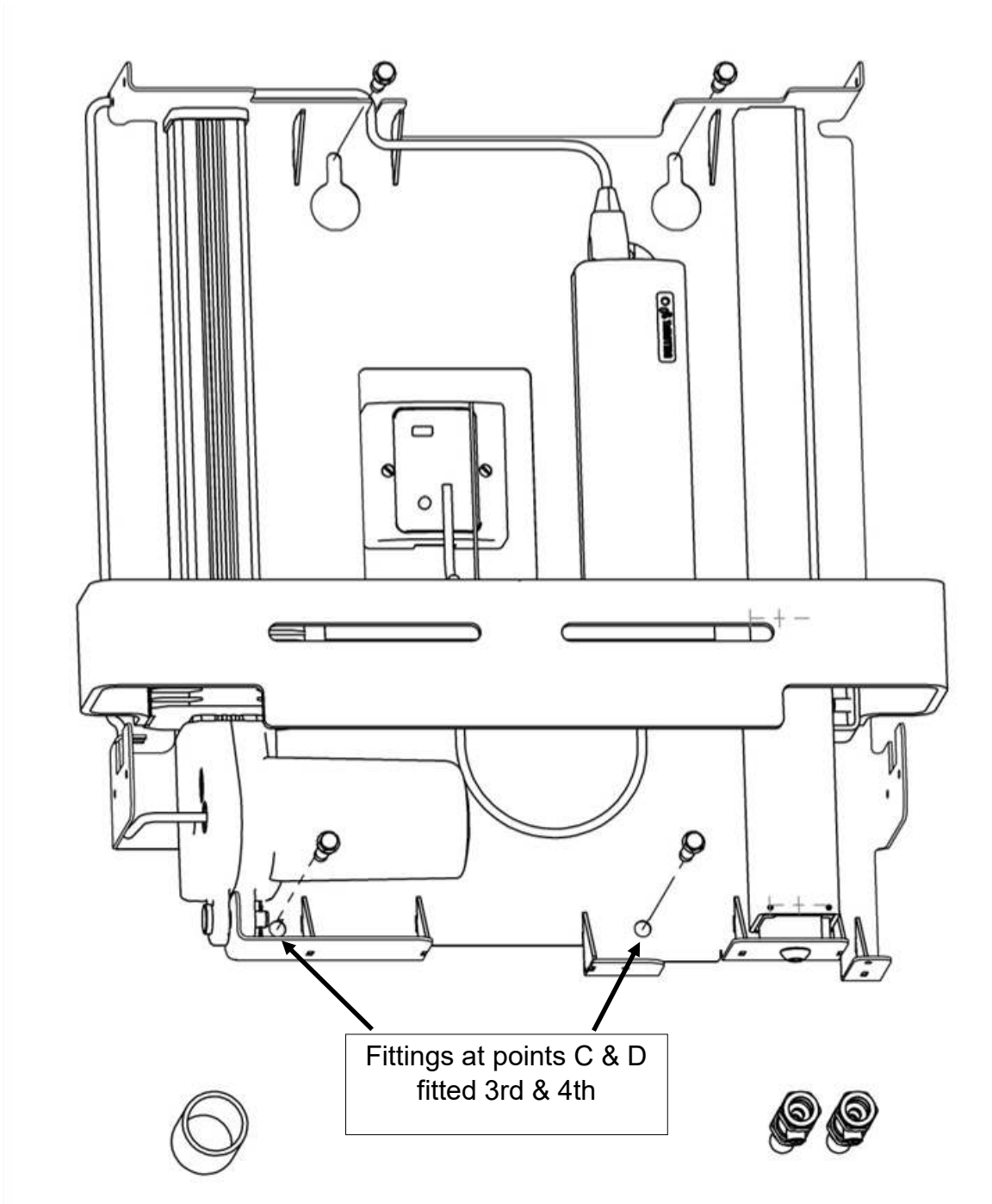
**NB All measurements are shown in mm**



## 11 Installation

### 11.2 Mounting SBU (continued)

Figure 10 Insert Fixings



## 11 Installation

### 11.3 Mounting the Basin Frame

1. Fit the two provided M10 x 55 dome head coach screws through the slot in the metal frame (attached to the SBU) from the back to the front of the frame
2. Present and pass the basin frame's uppermost holes over these screws
3. Centre basin frame to metal frame using the part centre marks
4. Add & lightly tighten provided M10 washers and M10 nuts using a 17mm long socket - to be fully tightened later once basin is levelled

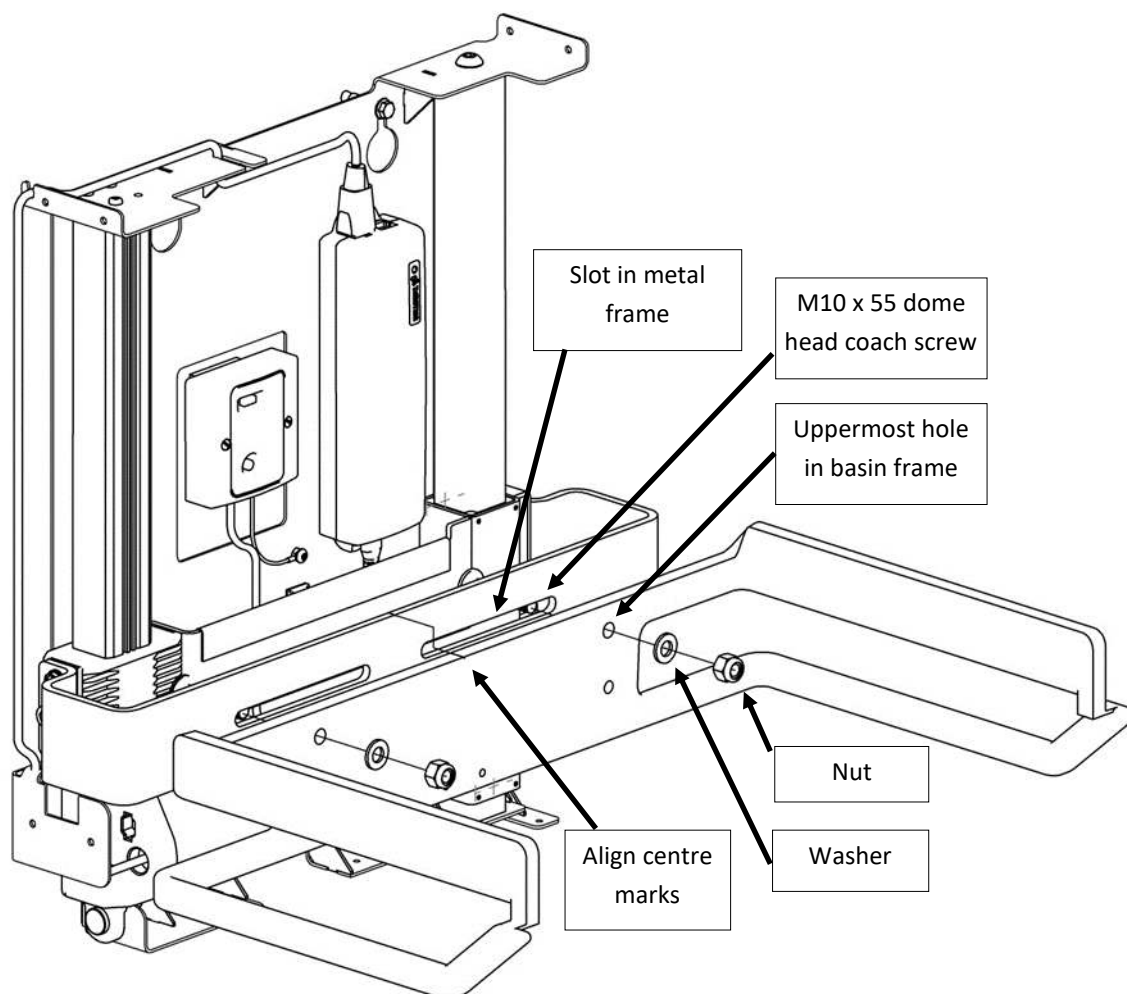


Figure 11 Fit basin frame

## 11 Installation

### 11.4 Preparing & Levelling the Basin

1. Attach the provided flexible braided hoses to the tap ensuring temperature direction (Figure 12)
2. Mount tap to basin (Figure 12)
3. Mount provided overflow to basin (Figure 13)
4. Install waste assembly (excluding the P trap) as shown to basin
5. Place basin onto frame in approximate position. Do not remove the sticky pad backing on the frame yet
6. Add the two provided M10 and four locking nuts to the frame. Use a spirit level on each side of the basin and tighten each screw in order to level the basin. Once level, use the locking nuts to tighten and lock position (Figure 13)
7. Return to the M10 nuts from 11.3 and tighten
8. Lift up the basin, remove the backing from the sticky tape. Replace the basin lightly onto the tape and check the positioning, front of basin must be 535mm from cover at both sides (this allows clearance for the basin to rise and fall). Press the basin firmly onto the tape.



Figure 12 Fit tap to basin

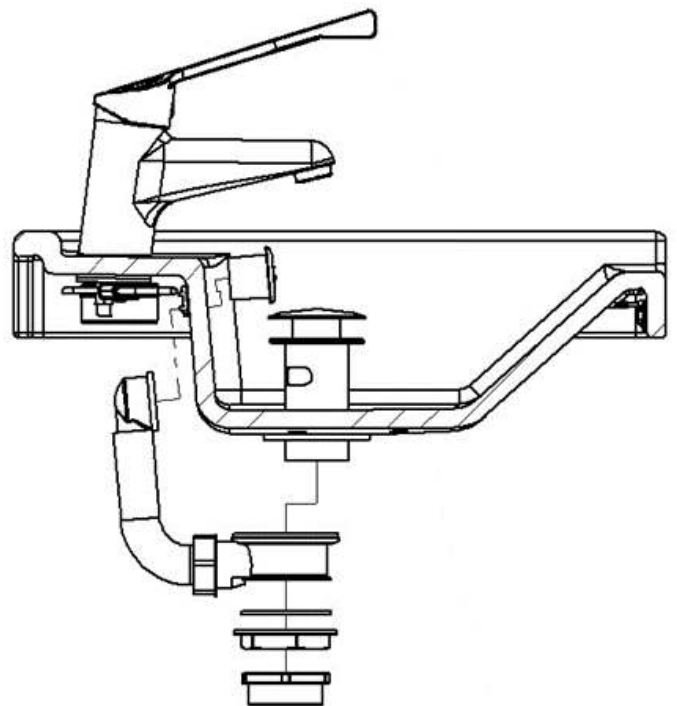


Figure 13 Waste and overflow

## 11 Installation

### 11.4 Preparing & Levelling the Basin (continued)

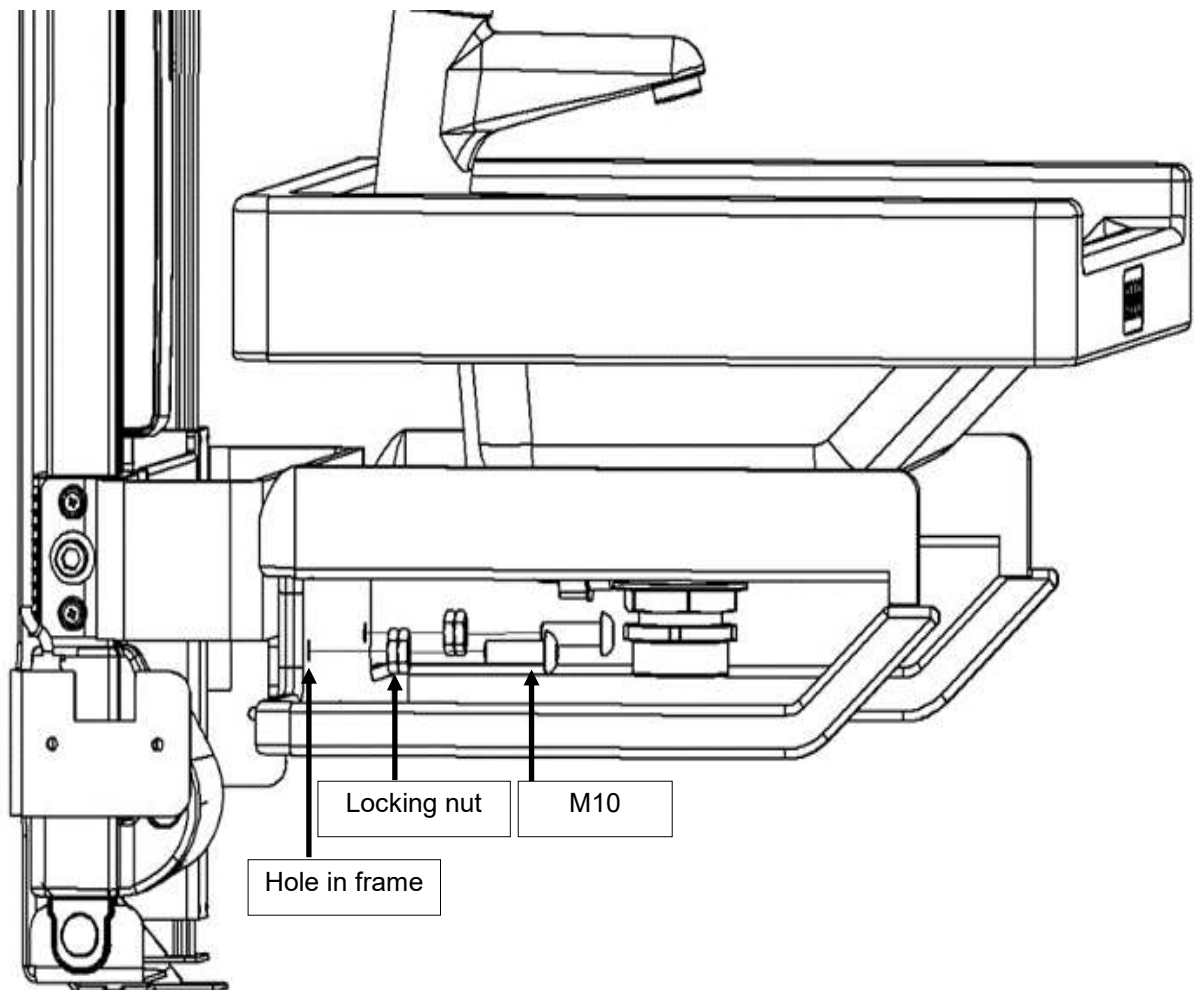


Figure 14 Fit M10 screws and lock nuts

## 11 Installation

### 11.5 Electrical

1. Ensure the power is OFF and only turn on when prompted
2. Connect earth harness from RCD to metal frame
3. Connect power cable from RCD to actuator control box (remove plug from provided cable if required)
4. Plug in the control cable from the basin
5. Turn power on
6. Reset the system by holding the up and down arrow buttons down on the front of the basin until the actuator moves to the bottom of its stroke
7. Once reset, move the system to about 50mm below top of travel (this allows easier access to connections) using the up arrow on the front of the basin. The collision sensor will be active during this movement and any obstruction will stop the unit from moving
8. Turn off the power

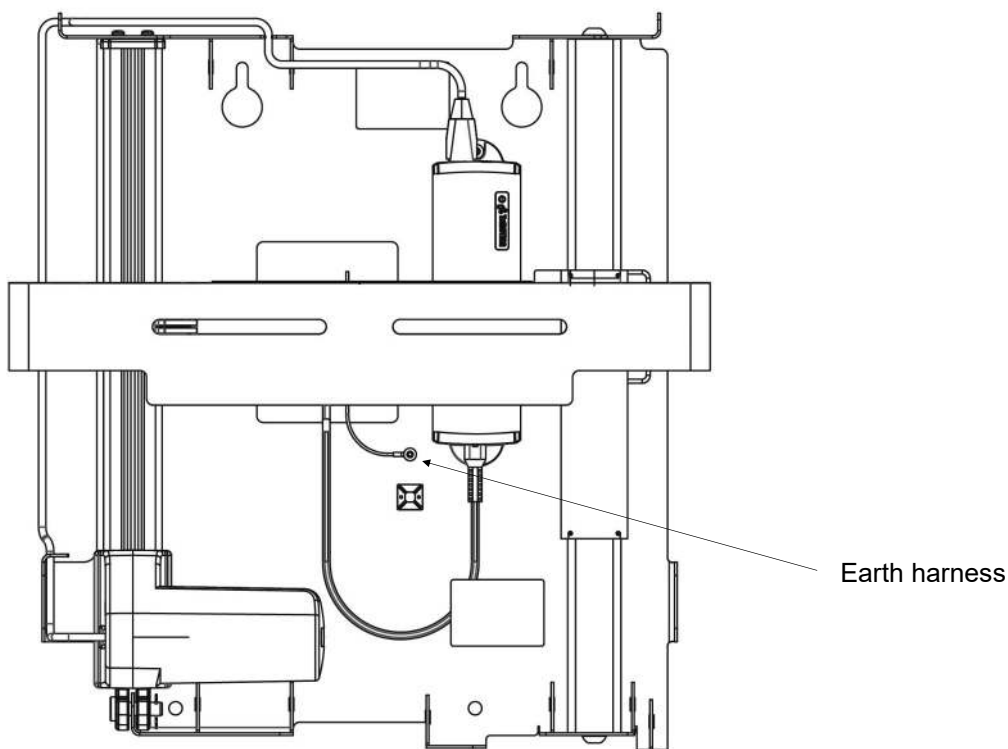


Figure 15 Earth harness

## 11 Installation

### 11.6 Plumbing & Control

1. Add the provided 90 degree 1.5" elbow to the end of the waste tube coming from the floor or wall (see Figure 16)
2. Attach provided flexible waste hose to the elbow 90 degree 1.5" elbow; this is a tight fit and you may need to chamfer the end of the waste hose to give a lead in (Figure 16)
3. Fit the TMV assembly with the TMV control knob FACING DOWN (Figure 16)
4. Place the large cover assembly in front of the metal frame
5. Pass the braided hoses from the tap through the hole in the sliding cover towards the wall & push into position (Figure 17)
6. Connect the hot braided hose to the TMV with the braided hose passing over the copper pipe
7. Connect the cold braided hose to the other water connection
8. Test & check for leaks
9. Place a bucket under the waste and set the TMV – see manufacturer's instructions
10. Pass the control cable from the basin through the hole in the sliding cover towards the wall & push into position. Route the cable behind the metal cross bar and insert into the actuator control box. Installation height may limit your ability to make the connection whilst the cover is on the floor. In this case partially lift and place a support under the cover whilst still allowing you to access the product from the side (Figure 17)
11. Pass the flexible waste hose from the wall through the hole in the sliding cover towards you
12. Add a loose cable tie around the flexible waste hose by passing it through the two holes in the sliding cover. Make the cable tie connection at the front so you can tighten it later. **NB This stage is very important, as the cable tie guides the waste into the right place as the basin rises and falls and prevents it causing internal damage. Failure to fit the cable tie correctly could cause catastrophic failure of the equipment.**
13. Whilst keeping the cover on the floor, push it against the wall and line it up with the metal frame above



## 11 Installation

### 11.6 Plumbing & Control (continued)

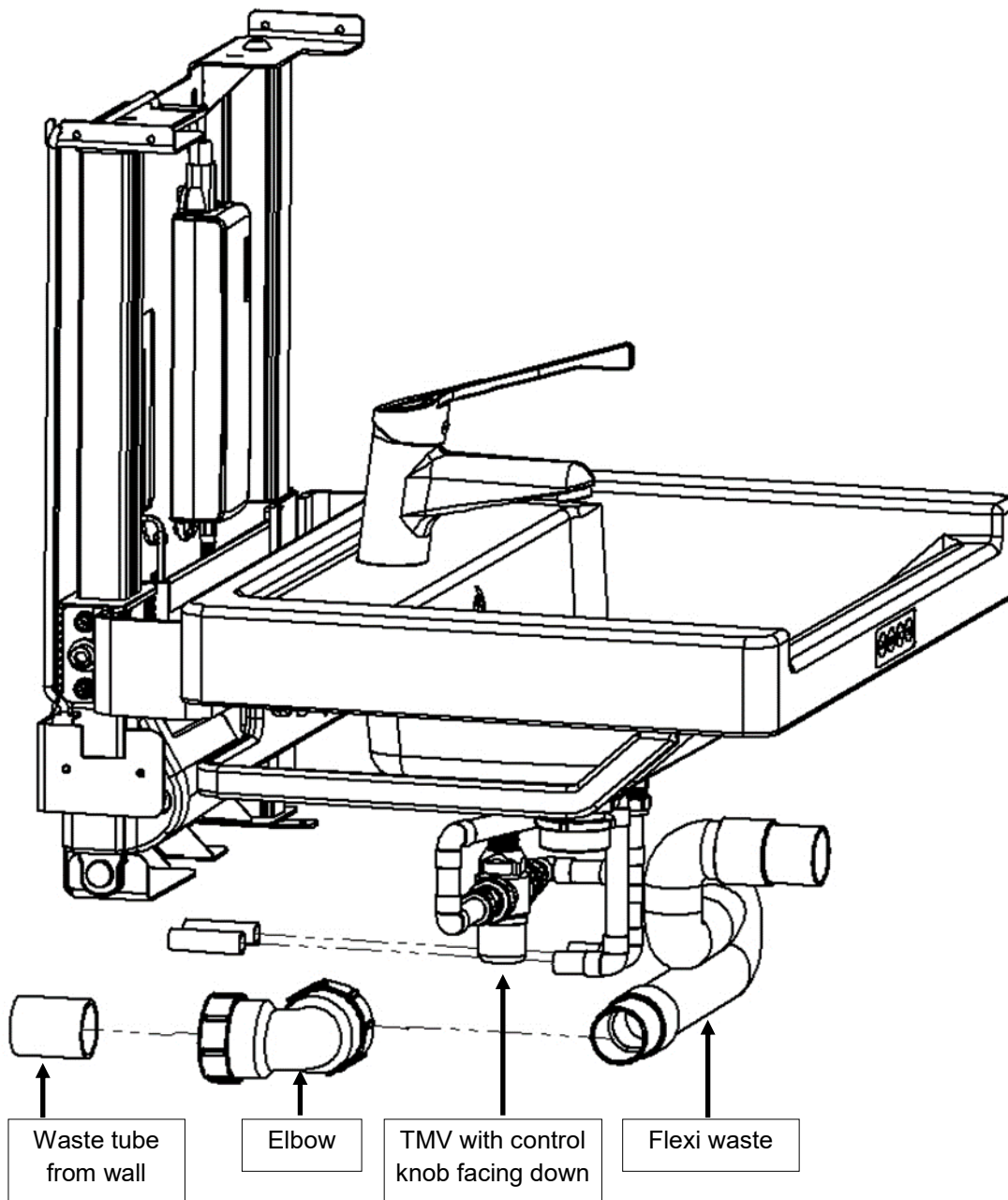


Figure 16 Plumbing and control



## 11 Installation

### 11.6 Plumbing & Control (continued)

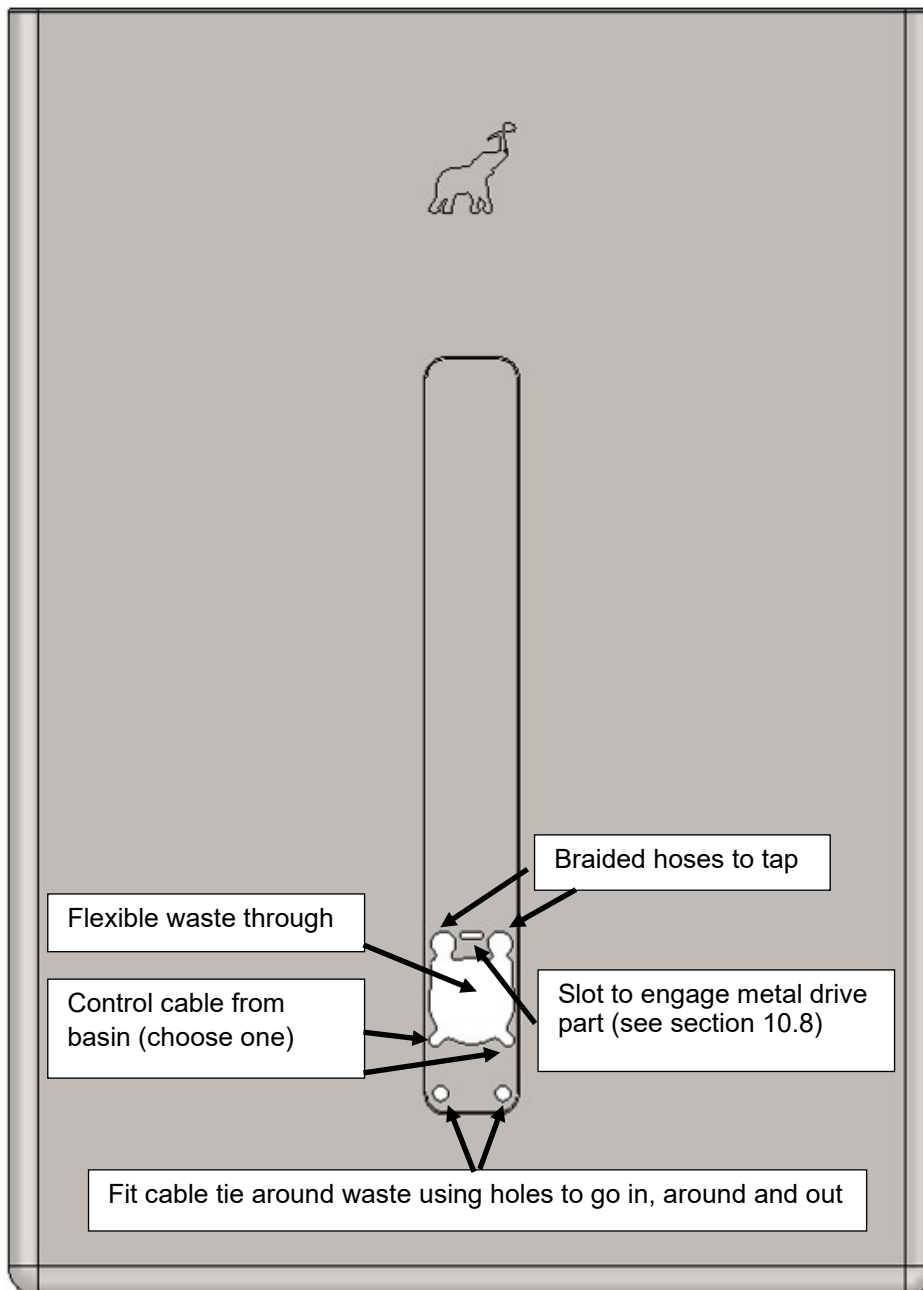
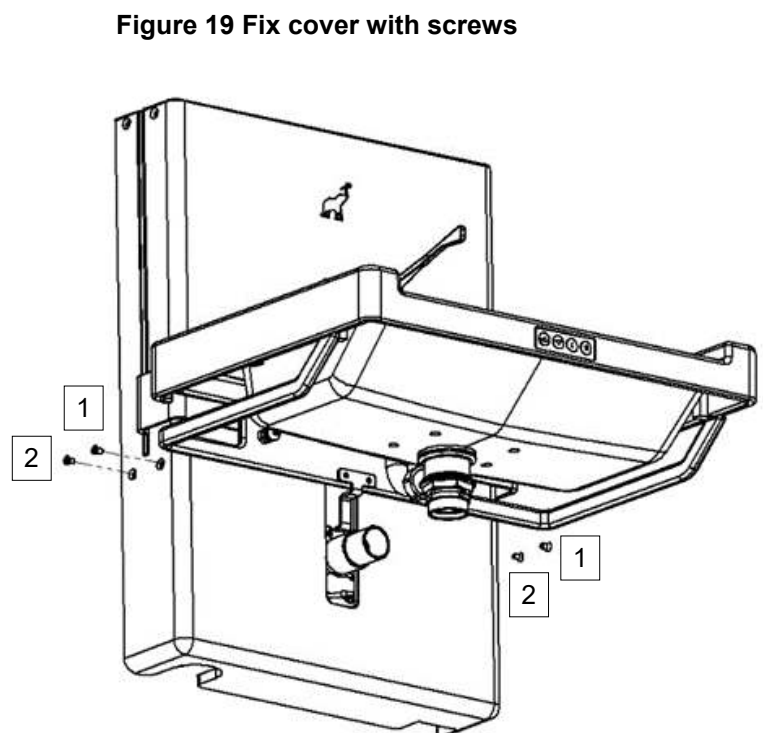
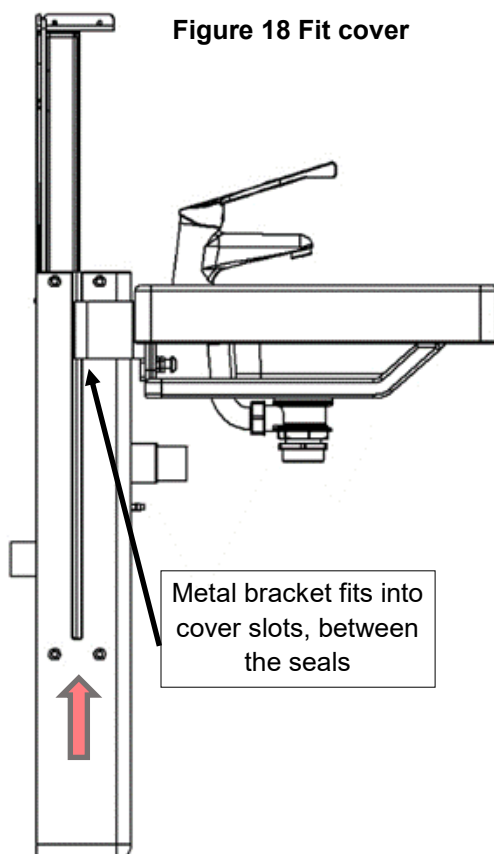


Figure 17 Cover

## 11 Installation

### 11.7 Main Cover & P Trap

1. Have the 4 provided M6 Torx bolts to hand ready to fit
2. Lift the cover, with the metal bracket fitting into its slots. Add silicone spray to the cover slot seals if this is difficult. As the cover is lifted, the slack in the braided hoses must be pushed through the sliding cover creating an upward bend (see Figure 18)
3. Add the provided M6 Torx lower front left and front right screws through the cover into the metal frame. Do not tighten yet (see Figure 19)
4. Add the provided M6 Torx lower back left and back right screws through the cover into the metal frame (Figure 19)
5. Tighten screws to **5Nm**. Do not overtighten or the cover could crack
6. Add the sliding cover metal drive part to the basin frame using the two M6 x 16 screws provided. Engage the thread but do not do up (Figure 20)
7. Lift the sliding cover from the top of the cover assembly until the sliding cover metal drive part lines up with its corresponding hole in the sliding over (Figure 17 shows position of the slot to engage the drive part)
8. Tighten screws for the cover metal drive part



## 11 Installation

### 11.7 Main Cover & Trap (continued)

9. Connect P trap to flexible hose (Figure 21)
10. Connect P trap to basin waste (Figure 21)
11. Test & check for leaks in the waste system including overflow
12. Ensure the braided hoses are curled upwards (but do not fix with e.g. a tie wrap as they must be free to move when the system moves)
13. Tighten cable tie (it must be firm but not very tight) ensuring it is perpendicular to the hose internally
14. Use the up and down arrow buttons on the front of the basin to move the system up and down at least 10 times, going slowly and in steps the first time to allow the hoses and flexi waste to settle into their correct positions. Key checks:
  15. The flexible waste hose falls to the right as you look at the product when moving to the bottom position. Check that it is not being caught or crushed during operation
  16. The braided hoses are not being caught or crushed
  17. The control cable from the basin to the actuator control box is not being strained
  18. The collision sensor is functioning properly – check by obstructing the unit as it is descending and checking that it stops and then moves up 5mm

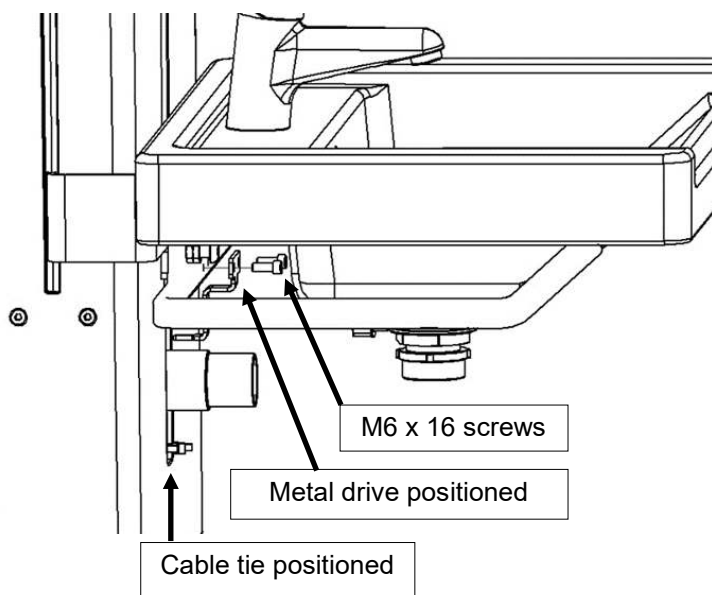


Figure 20 Fit metal drive part

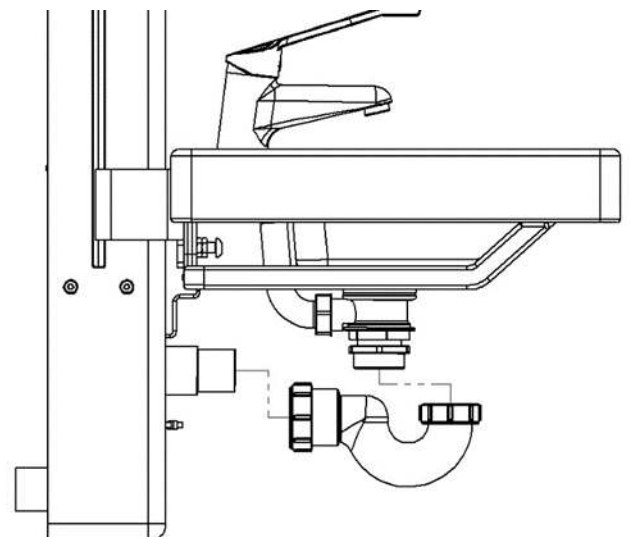


Figure 21 Fit p-trap

## 11 Installation

### 11.8 Top Cover & Trap Cover

See Figure 22

1. Add trap cover using the provided 6 off M6 x 10 Torx screws, tighten to 5Nm. Ensure control cable from basin is running between the back of the bowl and this cover. **TIP:** It's easiest to fit the front screws first as they will support the cover in place. **PLEASE NOTE** that the cover is painted and is easily chipped, protect from rough and hard surfaces. It is easily cleaned if necessary with BARKEEPERS FRIEND cleaner.
2. Move the basin to the bottom position using the arrow button on the front of the basin.
3. Fit the top cover.
4. Apply pressure from the front of the top cover to compress the seal to the wall in order for the holes to be lined up for the screws to be added (see Figure 22b). Add the provided M6 x 10 Torx upper front left and front right screws through the top cover into the metal frame. Do not tighten yet.
5. Add the provided M6 x 10 Torx upper back left and back right screws through the cover into the metal frame; manipulate the cover gently and if necessary loosen the lower screws if it is difficult to fit the top cover screws.
6. Tighten screws to 5Nm (do not use a power screwdriver or drill). Do not overtighten or the cover could crack.

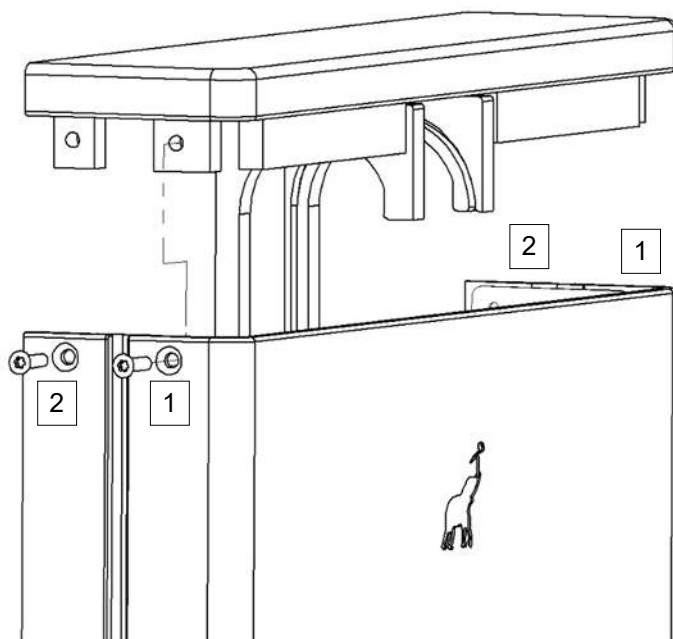


Figure 22a Fit top cover



Figure 22b Apply pressure from front

## 11 Installation

### 11.9 Final assembly, cleaning

Inspect the installed sink unit and check that it is clean

#### 11.10 Testing

1. Run & check all plumbing for leaks
2. With the handle in the hottest position, check the temperature of the water is 41°C and correct if necessary, see page 19 of tap manufacturer's instructions
3. Actuate product at least 10 more times

## 12 Moving and transporting the equipment

- It is anticipated that once installed, the equipment will not be transported. If you need to transport this equipment after unpacking it, please contact Astor-Bannerman customer services team for advice (see contact details at the end of this booklet).

## 13 Product disposal

- The steel frame is widely recycled
- The electronic components should be recycled in accordance with (I.A.W.) local WEEE regulations. For further advice, please contact Astor-Bannerman:

email our support team: [support@astorbannerman.co.uk](mailto:support@astorbannerman.co.uk)

or call us on +44 (0)1242 820820



## 14 Certificate of Conformity



Astor-Bannerman (Medical) Ltd.  
Andoversford Business Park,  
Cheltenham Gloucestershire  
GL54 4LB  
+44 (0) 1242 820820  
sales@astorbannerman.co.uk  
www.astorbannerman.co.uk

### CERTIFICATE OF CONFORMITY

**Manufacturers Name:** Astor-Bannerman (Medical) Ltd  
**Manufacturers Address:** Andoversford Business Park  
Cheltenham Gloucestershire  
GL54 4LB  
**Equipment Type:** Astor Aquba Height Adjustable Wash Basin  
00.152.00

Astor-Bannerman (Medical) Ltd solely declares the above product complies with the essential requirements and meet the conditions for CE marking. The design of products complies with the Machinery Directive 2006\42\EC Machinery. The following standard / directives was used for the assessment:

- Directive 2006\42\EC Machinery**
- BS8300-2:2018** Design of buildings and their ability to meet the requirements of disabled people
- BS EN ISO 14120:2015** Guards General Requirements
- BS EN 349:1993+A1:2008** Minimum gaps to avoid crushing of parts of the human body
- ISO17966** Structural test 75%
- HM Gov. Building Regs 2010** Part M access to and use of buildings, vol 1: dwellings
- HM Gov. Building Regs 2010** Part M access to & use of buildings, vol 2: buildings other than dwellings

Signed:  Mark Colebrook  
Managing Director

For and on behalf of Astor-Bannerman (Medical) Ltd

**Date of Issue:** 02/07/2020



*This declaration applies to all CE marked devices manufactured from the date of its issuance on until it is either superseded by another declaration or withdrawn.*

Company registered in England No. 2849299 VAT No. 630 6090 68

## 15 Replaceable parts

- Replacement basin
- Water hoses
- Power cables
- TMV
- Short lever tap

## 16 Declaration

I certify the installation & operation manual detailed in this book is true and correct as of Version 5 30/9/2020.



Guy Cowdry, Design Manager Astor-Bannerman



## 17 Service Record

Service engineer's name	Date of service	Actions undertaken	Signature

## 18 Training Record

Trainee's name	Date of Training	Type of Training	Trainee's Signature	Trainer's Signature

**Notes:**

# *beyond routine*

01242 820 820

[sales@astorbannerman.co.uk](mailto:sales@astorbannerman.co.uk)

[support@astorbannerman.co.uk](mailto:support@astorbannerman.co.uk)

[www.astorbannerman.co.uk](http://www.astorbannerman.co.uk)



Astor-Bannerman, The Elephant Works, Andoversford Link, Cheltenham, GL54 4LB

